

Emergency Stop Switch

Complete Set

SEM21N0189

Part Number



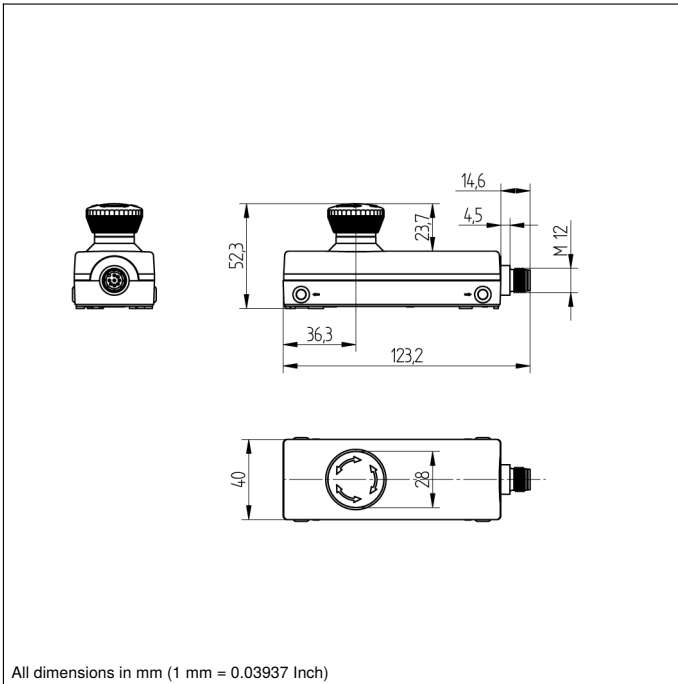
- M12 connection
- Simple installation on profiles and walls
- Slender housing
- Unlocking by turning left or right

Technical Data

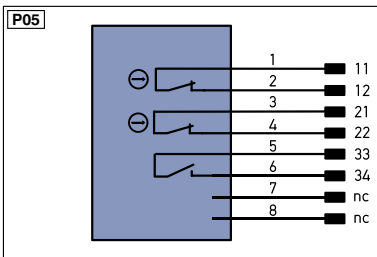
Electrical Data	
Temperature Range	-25...70 °C
Storage temperature	-25...85 °C
Service Life (nominal load)	50000 Switching Cycles
Protection Class	II
Mechanical Data	
Housing Material	Plastic
Service Life	50000 Activations
Bounce time	< 10 ms
Degree of Protection	IP65
Mounting Mode	Setting up
Unlocking	turning
Connection	M12 × 1; 8-pin
Safety-relevant Data	
B10d Switching Cycles	250 000
Number of positively driven contacts	2
NO Contacts	1
Function	
Switching position indicator	yes
Connection Diagram No.	P05
Suitable Connection Technology No.	89

Complementary Products

Safety Relay SR4B3B01S, SR4D3B01S
Software



All dimensions in mm (1 mm = 0.03937 Inch)



Legend

+	Supply Voltage +	PT	Platinum measuring resistor	ENa	Encoder A
-	Supply Voltage 0 V	nc	not connected	ENb	Encoder B
~	Supply Voltage (AC Voltage)	U	Test Input	AMIN	Digital output MIN
A	Switching Output (NO)	U	Test Input inverted	AMAX	Digital output MAX
Ā	Switching Output (NC)	W	Trigger Input	AOK	Digital output OK
V	Contamination/Error Output (NO)	O	Analog Output	SY In	Synchronization In
Ṽ	Contamination/Error Output (NC)	O-	Ground for the Analog Output	SY OUT	Synchronization OUT
E	Input (analog or digital)	BZ	Block Discharge	Out	Brightness output
T	Teach Input	AW	Valve Output	M	Maintenance
Z	Time Delay (activation)	a	Valve Control Output +		
S	Shielding	b	Valve Control Output 0 V		
RxD	Interface Receive Path	SY	Synchronization		
TxD	Interface Send Path	E+	Receiver-Line		
RDY	Ready	S+	Emitter-Line		
GND	Ground	≡	Grounding		
CL	Clock	SnR	Switching Distance Reduction		
E/A	Output/Input programmable	Rx+/-	Ethernet Receive Path		
IO-Link	IO-Link	Tx+/-	Ethernet Send Path		
PoE	Power over Ethernet	Bus	Interfaces-Bus A(+)/B(-)		
IN	Safety Input	La	Emitted Light disengageable		
OSSD	Safety Output	Mag	Magnet activation		
Signal	Signal Output	RES	Input confirmation		
Bl..D+/-	Ethernet Gigabit bidirect. data line (A-D)	EDM	Contacteur Monitoring		
EN0RS42	Encoder 0-pulse 0-0 (TTL)	ENAR542	Encoder A/Ā (TTL)		
		ENBR542	Encoder B/B̄ (TTL)		

Wire Colors according to DIN IEC 757

BK	Black
BN	Brown
RD	Red
OG	Orange
YE	Yellow
GN	Green
BU	Blue
VT	Violet
GY	Grey
WH	White
PK	Pink
GNYE	Green/Yellow

