

Mounting Console for M18 × 1 Plastic

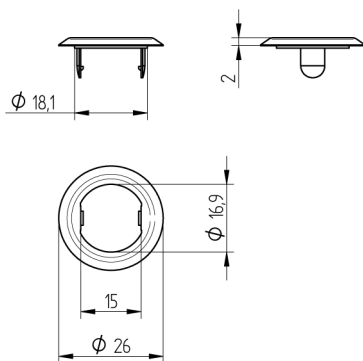
Z0008

Part Number

Technical Data

Mechanical Data

| | |
|----------------|-----------|
| Material | Plastic |
| Packaging unit | 10 Pieces |



All dimensions in mm (1 mm = 0.03937 Inch)