

Ethernet Connection Box

ZAI02CN02

Part Number

IndustrialEthernet



- 16 freely selectable input and output pins
- 2 Industrial Ethernet ports
- 8 digital I/O ports
- High protection class IP67
- Max. Switching Current Switching Outputs: 2 A
- Rugged aluminium housing

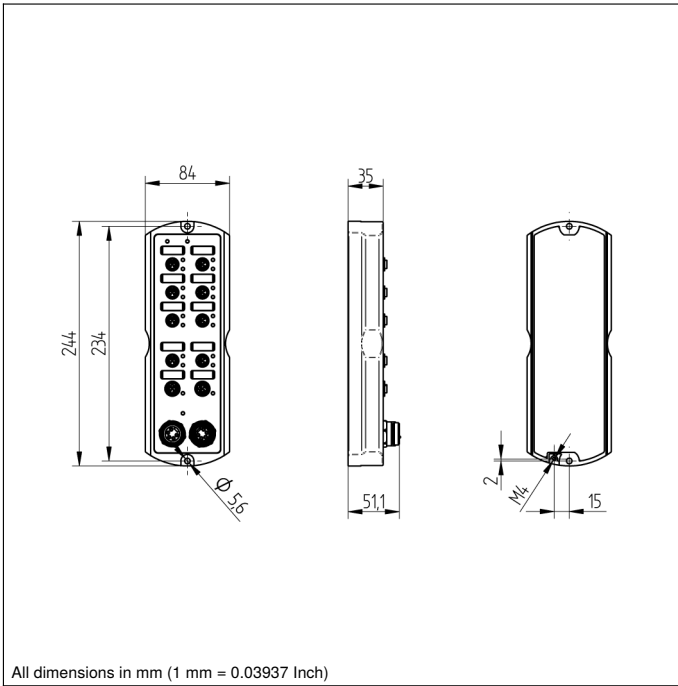
This connection allows simple connecting of up to 16 PNP sensors and actuators to an Industrial Ethernet network.

Technical Data

Electrical Data	
Supply Voltage	18...32 V DC
Power consumption of device max.	0,1 A
Power consumption of system max.	1,8 A
Max. Switching Current Switching Outputs	2 A
max. total current of the digital I/O ports	9 A
Switching Output Voltage Drop	< 2,5 V
Temperature Range	-25...60 °C
Sensor Supply Voltage (Pin 1)	200 mA
Inputs according to DIN EN 61131-2:2003	Type 2
Digital I/O ports short circuit protected	yes
Digital I/O ports overload protected	yes
Digital I/O ports reverse polarity protected	yes
Standard I/O-Pins	16
Baud Rate	100 Mbit/s
Transmission Mode	Full Duplex
Auto-Crossover	yes
Auto-Negotiating	yes
Auto-Polarity	yes
Interface	EtherCAT
Protection Class	III
Mechanical Data	
Material	Aluminum
Weight	1100 g
Degree of Protection	IP67
Type of Connection Power	2 × 7/8", 5-pin
Type of Connection Industrial Ethernet Ports	2 × M12; 4-pin
Type of connection digital I/O ports	8 × M12; 4-pin
Web server	yes
EoE (Ethernet over EtherCAT)	yes
EtherCAT	●
Connection Table No.	53
Suitable Connection Technology No.	78

Complementary Products

- Locking Screw for 7/8" Z0028
- Locking Screw for M12 Z0027



All dimensions in mm (1 mm = 0.03937 Inch)

