

Floodlight

ZFFW09-03

Part Number

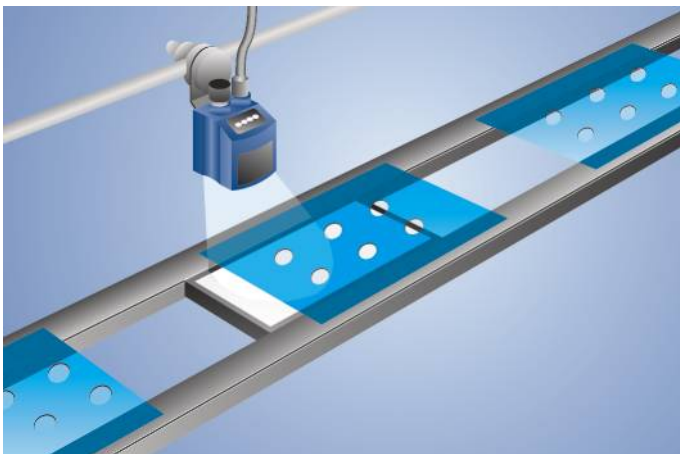


- Diffuse illumination with incident light mode
- Especially for through-beam operating mode
- Flashlight mode synchronizable with image processing

Technical Data

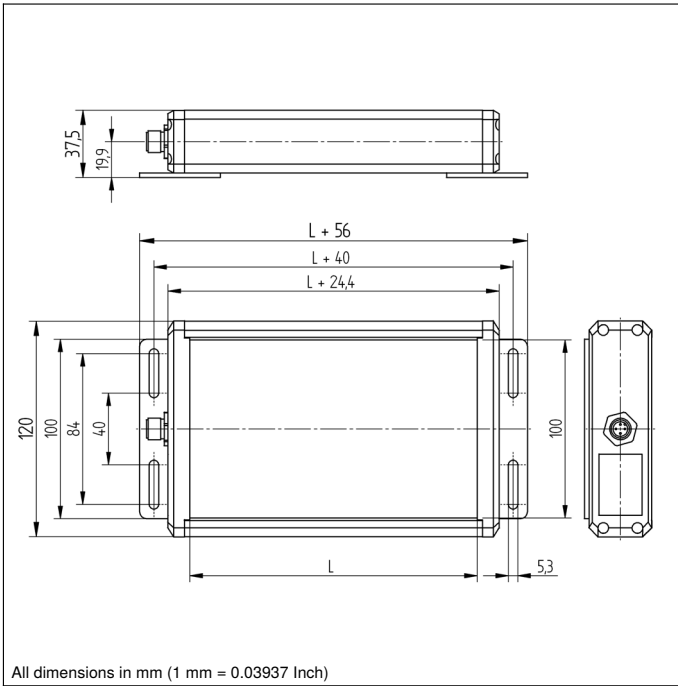
Optical Data	
Light Source	White Light
Luminance (continuous light mode)	~ 1150 cd/m ²
Luminance (flashlight mode)	~ 2300 cd/m ²
Electrical Data	
Supply Voltage	22...27 V DC
Current Consumption (U _b = 24 V)	< 900 mA
Temperature Range	0...50 °C
Reverse Polarity Protection	yes
Protection Class	III
Mechanical Data	
Light field length (L)	240 mm
Housing Material	Aluminum
Degree of Protection	IP42
Connection	M12 × 1; 4-pin
Connection Diagram No.	749
Connection Table No.	32
Suitable Connection Technology No.	2

The wenglor floodlight can be used either with through-beam or incident light operating mode. Transparent and reflective objects as well as object contours are illuminated well.

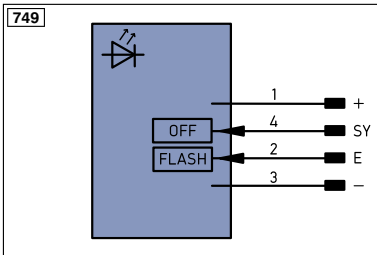


Complementary Products


Connection Cable BG2BSW1-08M, ZAV89V901, ZDCG001



All dimensions in mm (1 mm = 0.03937 Inch)



Legend

+	Supply Voltage +	PT	Platinum measuring resistor	ENa	Encoder A
-	Supply Voltage 0 V	nc	not connected	ENb	Encoder B
~	Supply Voltage (AC Voltage)	U	Test Input	AMin	Digital output MIN
A	Switching Output (NO)	U	Test Input inverted	AMax	Digital output MAX
Ā	Switching Output (NC)	W	Trigger Input	Aok	Digital output OK
V	Contamination/Error Output (NO)	O	Analog Output	SY In	Synchronization In
ȳ	Contamination/Error Output (NC)	O-	Ground for the Analog Output	SY OUT	Synchronization OUT
E	Input (analog or digital)	BZ	Block Discharge	Out	Brightness output
T	Teach Input	AMV	Valve Output		
Z	Time Delay (activation)	a	Valve Control Output +		Wire Colors according to DIN IEC 757
S	Shielding	b	Valve Control Output 0 V	BK	Black
RxD	Interface Receive Path	SY	Synchronization	BN	Brown
TxD	Interface Send Path	E+	Receiver-Line	RD	Red
RDY	Ready	S+	Emitter-Line	OG	Orange
GND	Ground	±	Grounding	YE	Yellow
CL	Clock	SrR	Switching Distance Reduction	GN	Green
E/A	Output/Input programmable	Rx+/-	Ethernet Receive Path	BU	Blue
	IO-Link	Tx+/-	Ethernet Send Path	VT	Violet
PoE	Power over Ethernet	Exe	Interfaces-Bus A(+)/B(-)	GY	Grey
IN	Safety Input	La	Emitted Light disengageable	WH	White
OSSD	Safety Output	Mag	Magnet activation	PK	Pink
Signal	Signal Output	RES	Input confirmation	GNYE	Green Yellow
M	Maintenance	EDM	Contactors Monitoring		

