

# Floodlight

## ZVZF003

Part Number

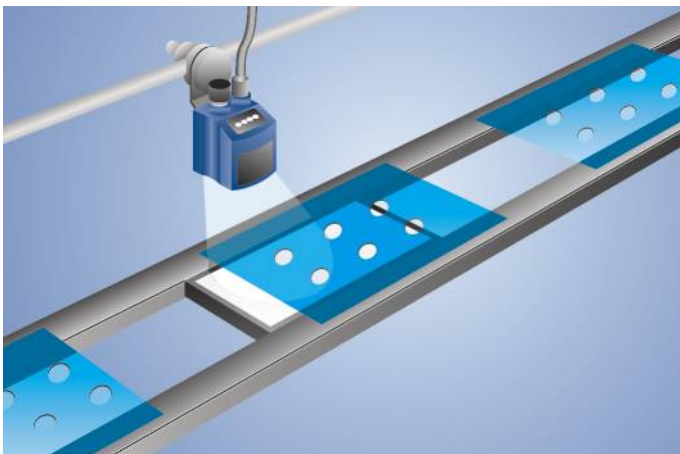


- Diffuse illumination with incident light mode
- Especially for through-beam operating mode
- Flashlight mode synchronizable with image processing

### Technical Data

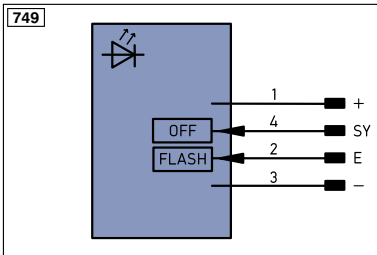
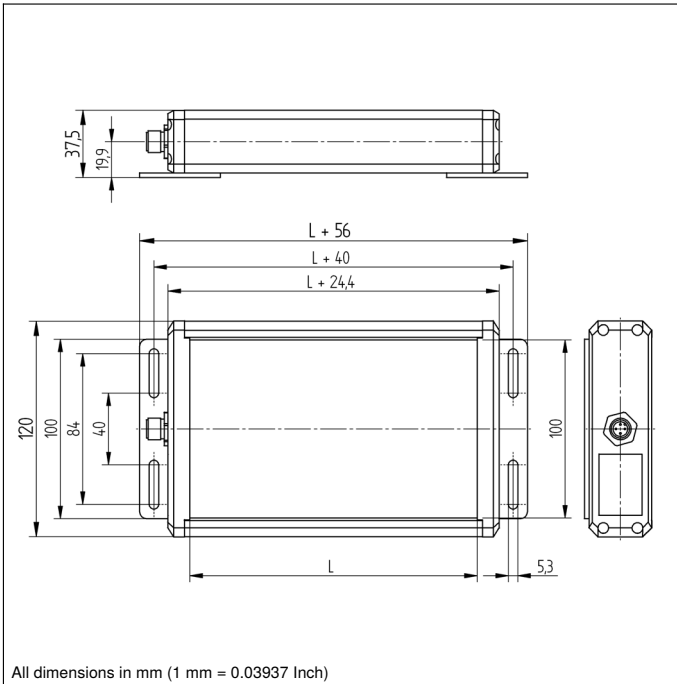
Optical Data	
Light Source	White Light
Service Life (T = +25 °C)	100000 h
Luminance (continuous light mode)	~ 13000 cd/m <sup>2</sup>
Luminance (flashlight mode)	~ 35000 cd/m <sup>2</sup>
Electrical Data	
Supply Voltage	22...27 V DC
Current Consumption (U <sub>b</sub> = 24 V)	< 1200 mA
Temperature Range	0...50 °C
Reverse Polarity Protection	yes
Protection Class	III
Mechanical Data	
Luminous Field Length (L)	240 mm
Housing Material	Aluminum
Degree of Protection	IP42
Connection	M12 × 1; 4-pin
Connection Diagram No.	<b>749</b>
Connection Table No.	<b>32</b>
Suitable Connection Technology No.	<b>2</b>

The wenglor floodlight can be used either with through-beam or incident light operating mode. Transparent and reflective objects as well as object contours are illuminated well.



### Complementary Products

Connection Cable BG2BSW1-08M, ZAV89V901, ZDCG001


**Legend**

+	Supply Voltage +	nc	not connected	ENa	Encoder A
-	Supply Voltage 0 V	U	Test Input	ENb	Encoder B
~	Supply Voltage (AC Voltage)	U	Test Input inverted	AMIN	Digital output MIN
A	Switching Output (NO)	W	Trigger Input	AMAX	Digital output MAX
Ā	Switching Output (NC)	O	Analog Output	AOK	Digital output OK
V	Contamination/Error Output (NO)	O-	Ground for the Analog Output	SY In	Synchronization In
ṽ	Contamination/Error Output (NC)	BZ	Block Discharge	SY OUT	Synchronization OUT
E	Input (analog or digital)	Aw	Valve Output	Out	Brightness output
T	Teach Input	a	Valve Control Output +	M	Maintenance
Z	Time Delay (activation)	b	Valve Control Output 0 V		
S	Shielding	SY	Synchronization		
RxD	Interface Receive Path	E+	Receiver-Line		
TxD	Interface Send Path	S+	Emitter-Line		
RDY	Ready	≡	Grounding		
GND	Ground	SnR	Switching Distance Reduction		
CL	Clock	Rx+/-	Ethernet Receive Path		
E/A	Output/Input programmable	Tx+/-	Ethernet Send Path		
	IO-Link	Bus	Interfaces-Bus A(+)/B(-)		
PoE	Power over Ethernet	La	Emitted Light disengageable		
IN	Safety Input	Mag	Magnet activation		
OSSD	Safety Output	RES	Input confirmation		
Signal	Signal Output	EDM	Contact Monitoring		
Bl..D+/-	Ethernet Gigabit bidirect. data line (A-D)	ENaRS42	Encoder A/Ā (TTL)		
EN0 RS42	Encoder 0-pulse 0-0 (TTL)	ENbRS42	Encoder B/B̄ (TTL)		

**Wire Colors according to DIN IEC 757**

BK	Black
BN	Brown
RD	Red
OG	Orange
YE	Yellow
GN	Green
BU	Blue
VT	Violet
GY	Grey
WH	White
PK	Pink
GNYE	Green/Yellow

