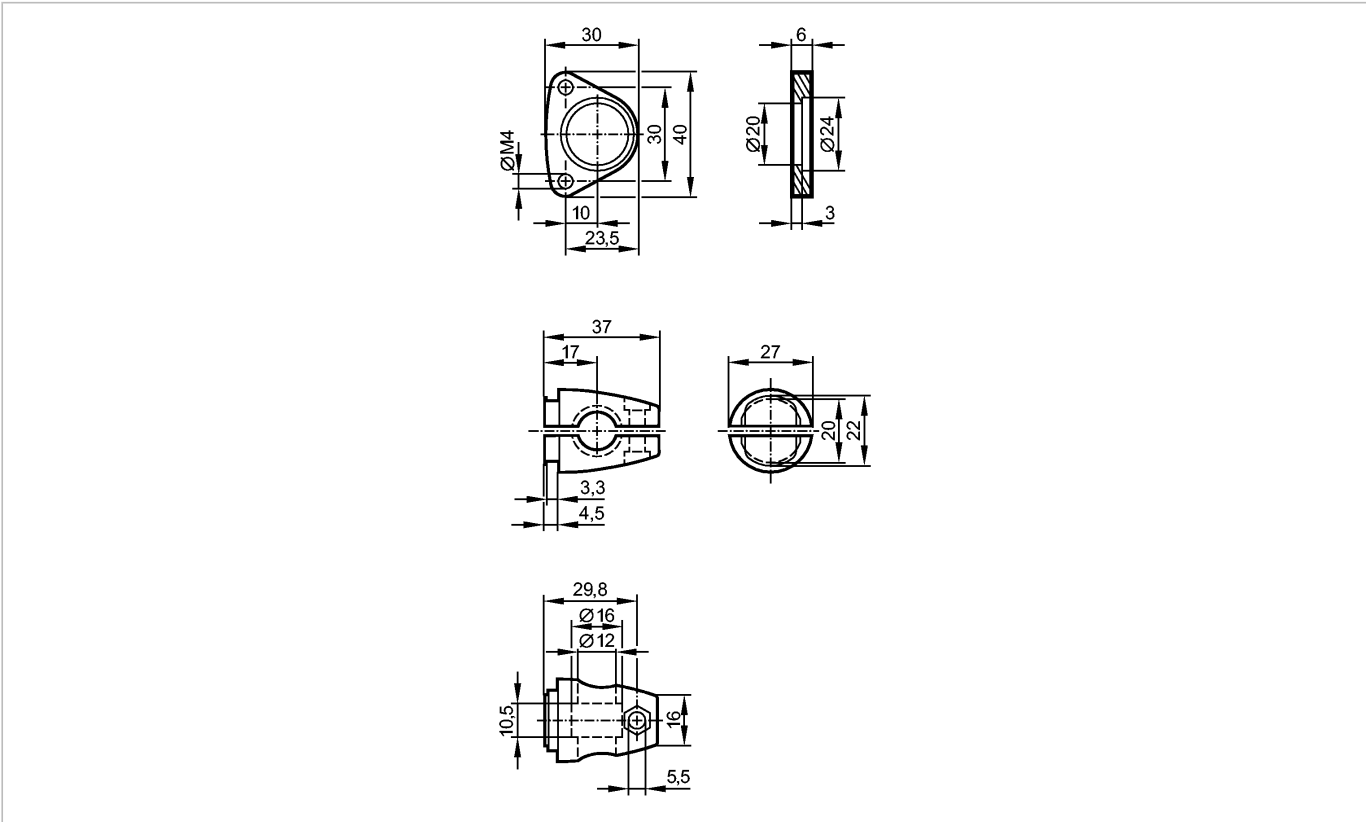


**E2D101**

Zubehör



Made in Germany

**Produktmerkmale**

Montageset

Klemmzylindermontage

**Mechanische Daten**

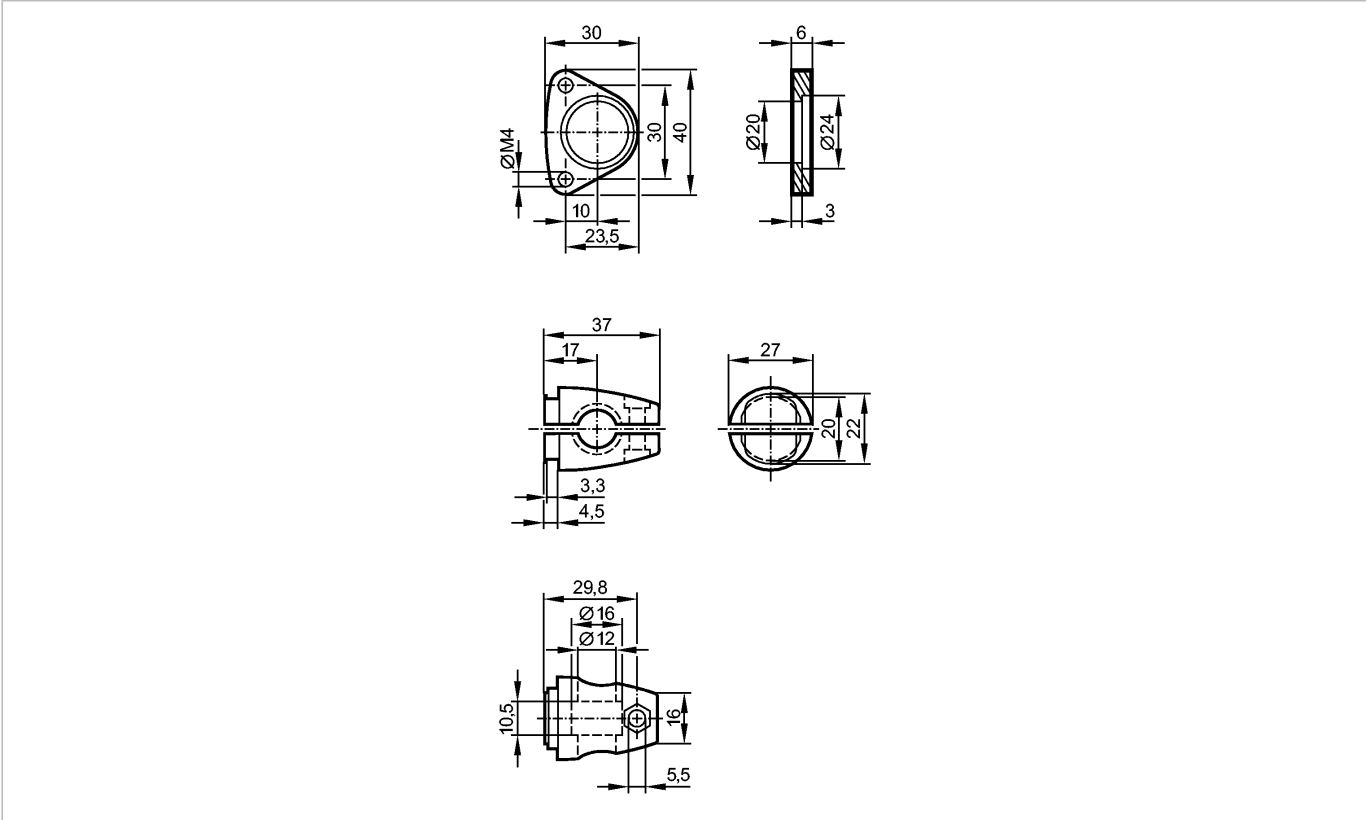
Gehäusewerkstoffe	Halteelement: V2A (1.4301); Klemmzylinder: V4A (1.4408); Schrauben: V2A; Mutter: V4A
Montageart	Rundprofil Ø 12 mm
Gewicht [kg]	0,12

**Zubehör**

Zubehör (mitgeliefert)	2 Innensechskantschrauben M4 x 45
------------------------	-----------------------------------

**E2D101**

Accessories



Made in Germany

**Product characteristics**

Mounting set

Clamp mounting

**Mechanical data**

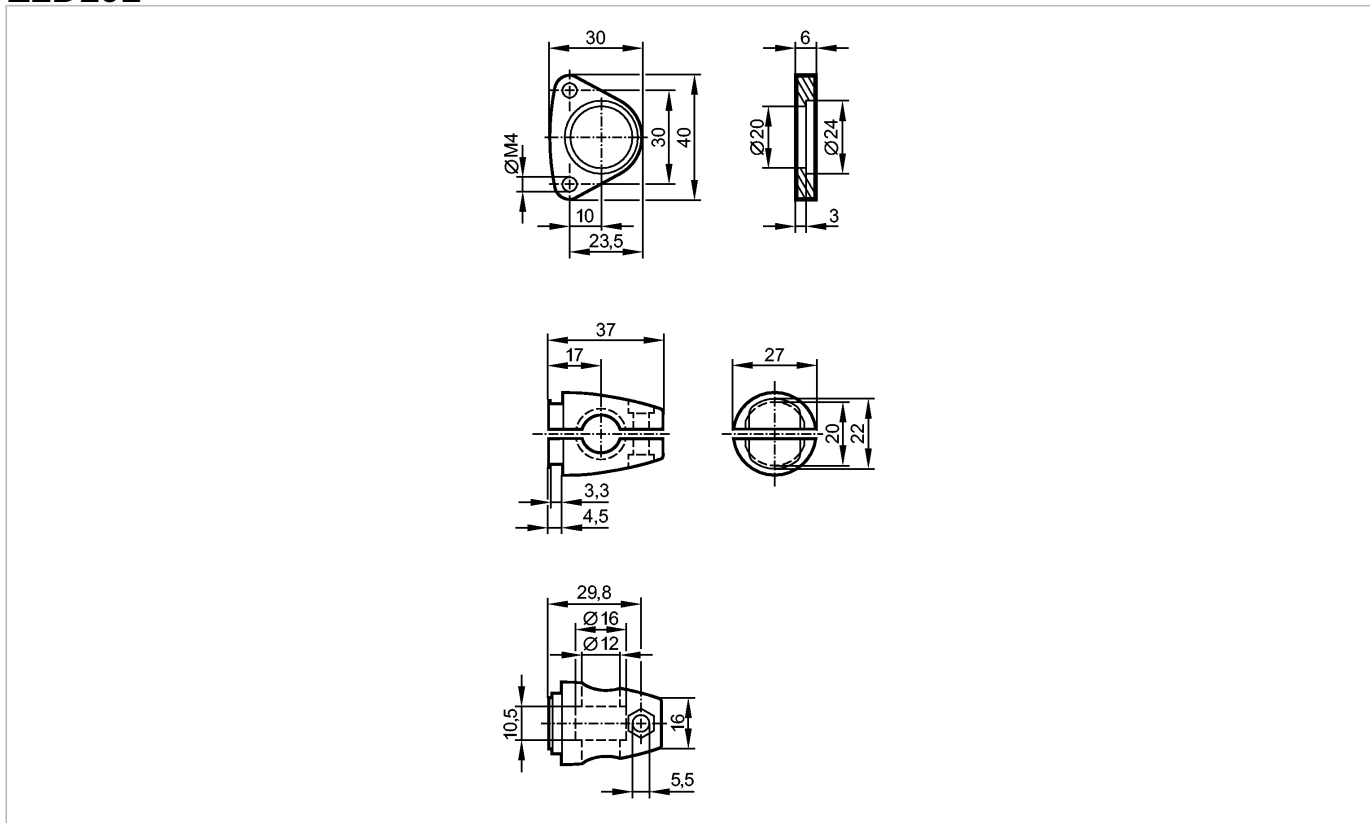
Housing materials	fixture: stainless steel (304S15); clamp: stainless steel (316C); screws: stainless steel; Nut: high-grade stainless steel
Type of mounting	rod mounting $\varnothing 12$ mm
Weight [kg]	0.12

**Accessories**

Accessories (included)	2 socket head screws M4 x 45
------------------------	------------------------------

**E2D101**

Accessoires



Made in Germany

**Caractéristiques du produit**

Kit de montage

Montage par cylindre de serrage

**Données mécaniques**

Matières boîtier

équerre de fixation: inox (1.4301 / 304); cylindre de serrage: inox (1.4408 / 316);  
vis: inox; Écrou: inox

Type de montage

profil rond Ø 12 mm

Poids

[kg]

0,12

**Accessoires**

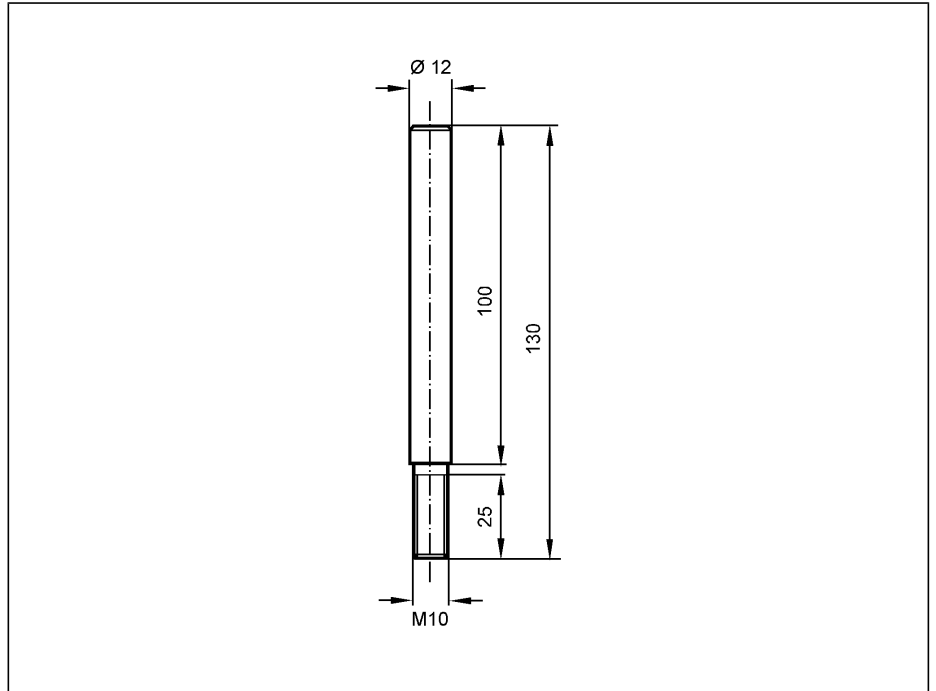
Accessoires (fournis)

2 vis à six pans creux M4 x 45

Zubehör

**E20938**

Rundprofil  
 Ø 12 / M10 mm



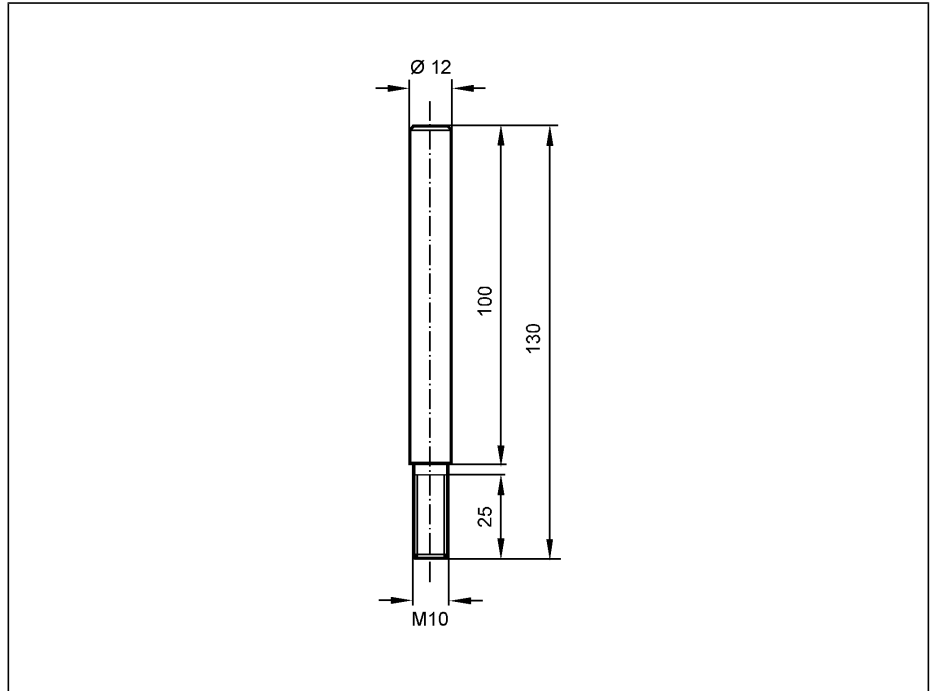
Made in Germany

<b>Länge L [mm]</b>	<b>130</b>
Ausführung	gerade
Gehäusewerkstoffe	V4A (1.4571)
Gewicht [kg]	0,152

Accessories

**E20938**

mounting rod  
 Ø 12 / M10 mm



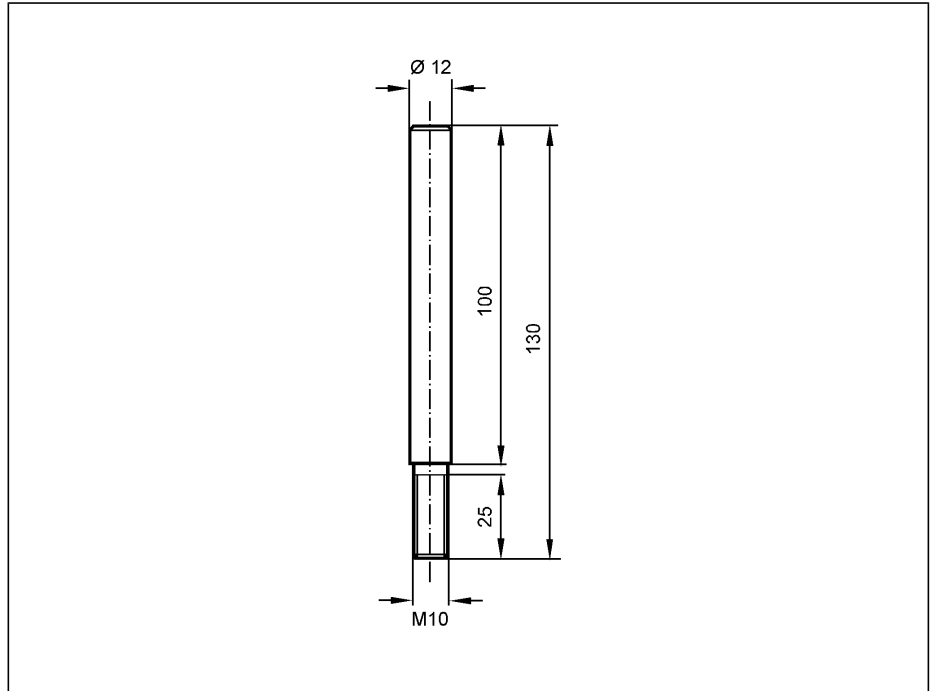
Made in Germany

<b>Length L [mm]</b>	<b>130</b>
Design	straight
Housing materials	stainless steel 316Ti / 1.4571
Weight [kg]	0.152

Accessoires

**E20938**

profil rond  
 Ø 12 / M10 mm



Made in Germany

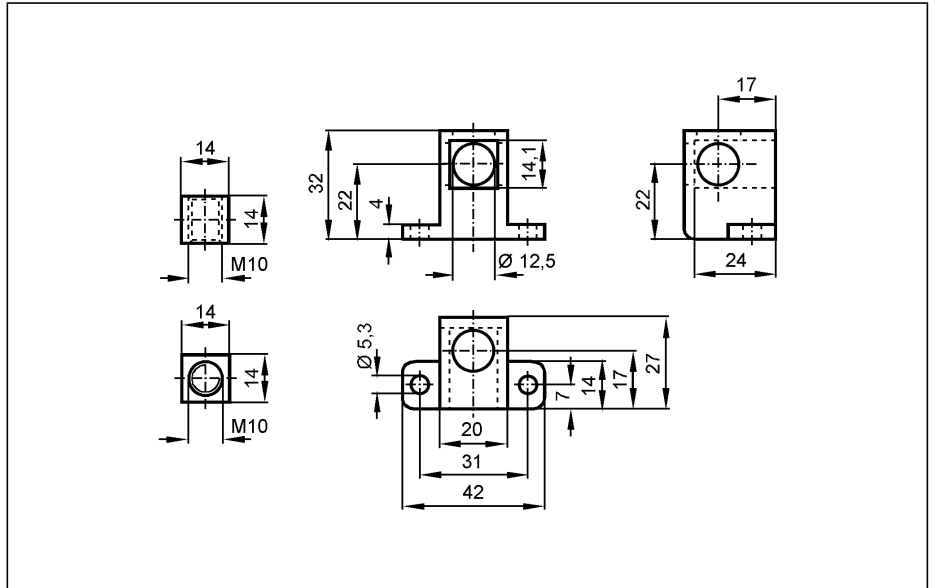
<b>Longueur L [mm]</b>	<b>130</b>
Version	droit
Matières boîtier	inox (1.4571 / 316Ti)
Poids [kg]	0,152

Zubehör

**E20951**

Cube

M10



Made in Germany

Montageart

Gehäusewerkstoffe

Gewicht

[kg]

Aluprofil

Zinkdruckguss

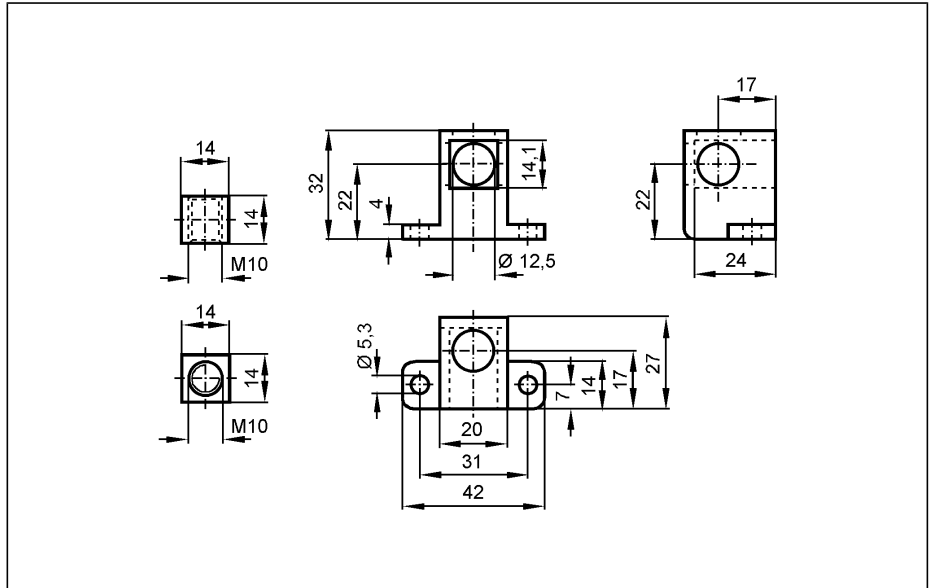
0,11

Accessories

**E20951**

Cube

M10



Made in Germany

Type of mounting	
Housing materials	aluminium profile diecast zinc
Weight [kg]	0.11

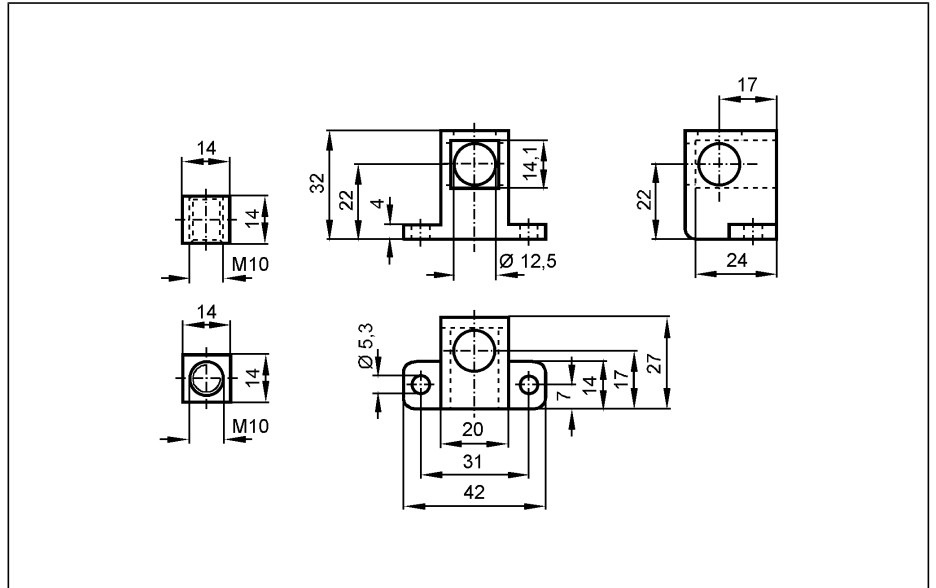


Accessoires

**E20951**

Cube

M10



Made in Germany

Type de montage	profil aluminium
Matières boîtier	zamac
Poids [kg]	0,11