

## MEF EMC-FILTER 3-PHASE 1-STAGE WITH NEUTRAL

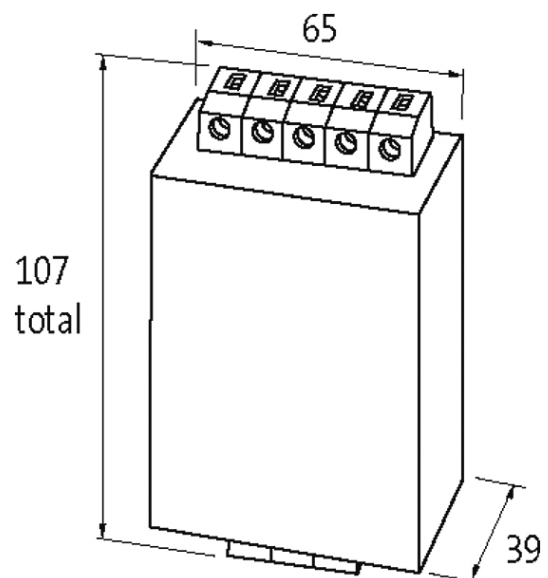
I:6A U:4x440 VAC snap on

Current: 6 A  
DIN-rail mountable  
with neutral

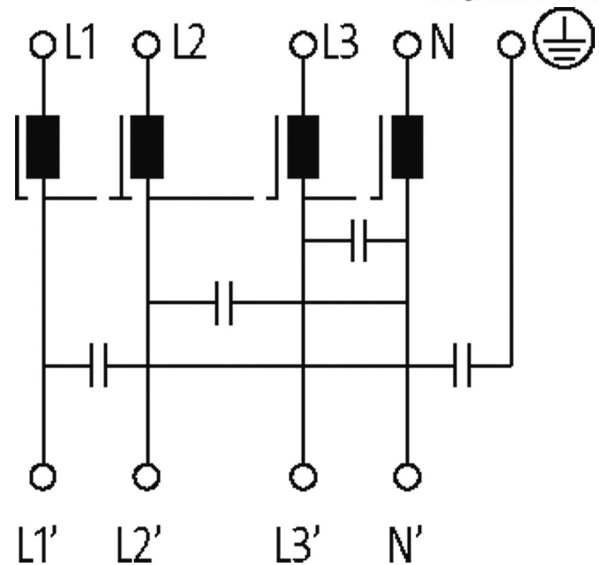
Attenuation curves on request.

### [Link to Product](#)

#### Illustration



stay connected



Product may differ from Image

### Approvals



### Technical Data

Operating voltage	max. 3 × 440 V AC
Operating frequency	50...60 Hz
Overload current	18 × (IN t) max. 0.5 ms; 1.5 × (IN t) max. 1 min. (1 × per hour)
Consumption	max. 3 mA (250 V AC)
Connection cross section	0.2...6 mm <sup>2</sup> single core (AWG 24...9); 0.2...4 mm <sup>2</sup> multiple core (AWG 24...11)

### General data

Climatic category	25/085/21 (EN 60068-1)
Test isolation voltage	2.7 kV (L - N), 2 s; 2.1 kV (L - L), 2 s (EN 60939-2)
Connection	Screw connection, touch protected
Mounting method	DIN-rail mountable TH35 (EN 60715)
Dimensions H × W × D	107×65×39 mm

### Description

#### Functional description

The 3-phase and one-stage EMC filters MEF 3/1 are used in the range 0.1...30 MHz and dampen interferences found in cables from the mains, supply units and control systems. They are suitable for TN-S, TN-C-S, and TT networks. The best results are obtained

### Commercial data

country of origin	IT
customs tariff number	85363010
EAN	4048879029285

---

eClass	27130806
Packaging unit	1

---