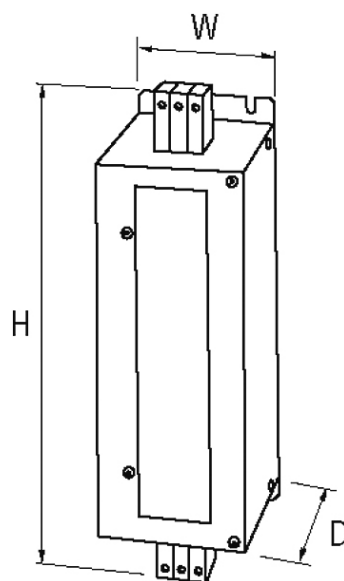
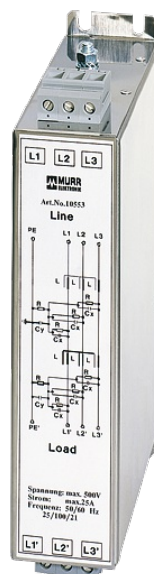


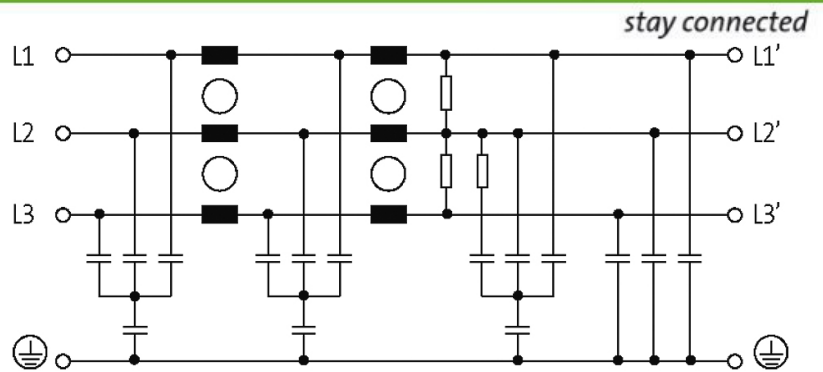
MEF EMC-FILTER 3-PHASE 2-STAGE

I:8A U:3x500 VAC book-style

Current: 8 A
2-stage

Attenuation curves on request.

[Link to Product](#)**Illustration**



Product may differ from Image

Approvals



Technical Data

| | |
|--------------------------|---|
| Operating voltage | max. 3 × 500 V AC |
| Operating frequency | 50...60 Hz |
| Overload current | 18 × (IN t) max. 0.5 ms; 1.5 × (IN t) max. 1 min. (1 × per hour) |
| Consumption | max. 15 mA (250 V AC) |
| Connection cross section | 0.2...10 mm ² single core (AWG 24...7); 0.2...6 mm ² multiple core (AWG 24...9) |

General data

| | |
|------------------------|---|
| Climatic category | 25/085/21 (EN 60068-1) |
| Test isolation voltage | 3.3 kV (L - N), 2 s; 3.1 kV (L -L), 2 s |
| Connection | Screw connection, touch protected |
| Mounting method | screw fixing |
| Dimensions H × W × D | 226×50×140 mm |

Description

| | |
|------------------------|---|
| Functional description | The 3-phase and 1-/2-stage EMC filters MEF 3/1-3/2 are used in the range 0.1...30 MHz and dampen interferences found in cables from the mains, supply units and control systems. They are suitable for TN-C-mains. The best results are obtained with short con |
|------------------------|---|

Commercial data

| | |
|-----------------------|---------------|
| country of origin | IT |
| customs tariff number | 85363010 |
| EAN | 4048879029179 |
| eClass | 27130806 |
| Packaging unit | 1 |