

MVP12, 6XM12, 4POLE, PLUGGABLE CABLE

10.0m PUR/PVC 6x0,34+3x0,75

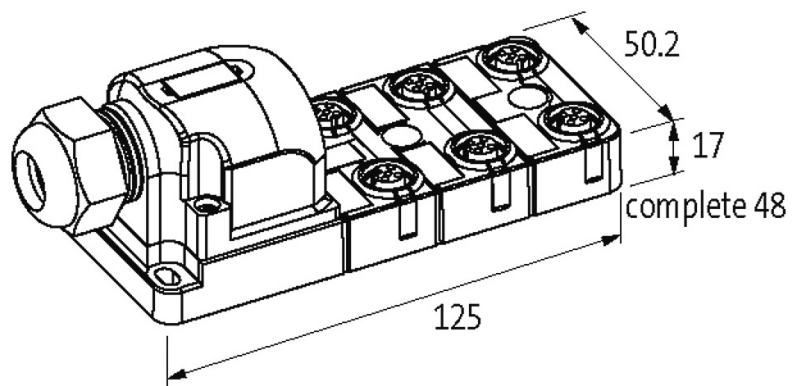
6-way, 4-pole

PUR/PVC

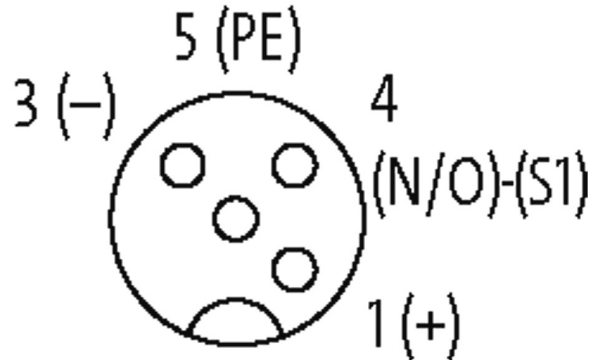
10.0 m

with LED for digital PNP-signals 24 V DC

Further cable lengths on request. Plastic housings with good resistance against chemicals and oils. The resistance to aggressive media should be individually tested for your application. Further details on request.

[Link to Product](#)**Illustration**

M12 Females 4-pole



Product may differ from Image

Approvals



Contact Layout

| | |
|-------------|---|
| PIN 1 | (+) |
| PIN 3 | (-) |
| PIN 4 | (NO)/(S1) |
| PIN 5 | (Earth) |
| LED display | LED (green): Power / LED (yellow): (S1) |

Cables

| | |
|----------------------------|--|
| No./diameter of wires | 4 × 0.34 mm ² |
| Wire isolation | PP (br, wh, bl, bk) |
| Material (jacket) | PUR (UL/CSA) |
| Outer Ø | 5.9 mm ±5% |
| Bend radius (moving) | 10 × outer Ø |
| Temperature range (fixed) | -40...+80 °C |
| Temperature range (mobile) | -20...+80 °C |
| Cable identification | 335 |
| Cable Type | PUR-OB |
| Approval (cable) | UL (AWM-Style 20233/1992), CSA; CE conform |
| Cable weight [g/m] | 56,10 |
| Material (wire) | Cu wire, bare |
| Resistor (core) | max. 52 Ω/km (20 °C) |
| Single wire Ø (core) | 0.1 mm |
| Diameter (core) | 4 × 0.34 mm ² |

The information in this brochure has been compiled with the utmost care.

Liability for the correctness completeness and topicality of the information is restricted to gross negligence. Version: 03/19

Murrelektronik GmbH | Falkenstraße 3 | 71570 Oppenweiler | Fon +49 (71 91) 47-0 | Fax +49 (71 91) 47-491000 | shop@murrelektronik.com | shop.murrelektronik.com

| | |
|------------------------------------|---|
| Material (wire isolation) | PP |
| Material property (wire isolation) | CFC-, halogen-, cadmium-, silicone- and lead-free |
| Shore hardness (wire isolation) | 72 ±3 D |
| Wire-Ø incl. isolation | 1.55 mm ±5% |
| Color/numbering of wires | br, bk, bl, wh |
| Stranding combination | 4 wires twisted |
| Shield | yes |
| | min. 85% |
| Material (jacket) | PUR |
| Shore hardness (jacket) | 85 ±3 A |
| Outer-Ø (jacket) | 5.9 mm ±5% |
| Color (jacket) | gray |
| chemical resistance | good resistance to oil, gasoline and chemicals (VDE 0472 Teil 803 Test B) |
| thermal resistance | flame retardant UL VW1, CSA FT 1 |
| Nominal voltage | 300 V AC |
| Test voltage | 2 000 V AC |
| Temperature range (fixed) | -40...+80 °C |
| Temperature range (mobile) | -20...+80 °C |
| Bend radius (fixed) | 10 × outer Ø |
| Jacket Color | gray |

Technical Data

| | |
|-------------------------------|--|
| Operating voltage | 24 V DC ±25% |
| Housing | Plastic, flame retardant |
| Protection | IP65 and IP67 when plugged and screwed down (EN 60529) |
| Material | PBT |
| Signal per port | 1 - (31-32) |
| Operating current per contact | max. 4 A |
| Total current | max. 8 A |
| Locking of ports | Screw thread M12 × 1 mm |

General data

| | |
|----------------------|----------------|
| Temperature range | -20...+80 °C |
| Dimensions H × W × D | 125×50.2×17 mm |

Commercial data

| | |
|-----------------------|---------------|
| country of origin | CZ |
| customs tariff number | 85444290 |
| EAN | 4048879064606 |
| eClass | 27279219 |
| Packaging unit | 1 |