

MVP12, 4XM12, 5POLE, PLUGGABLE CABLE

3.0m PUR/PVC 8x0,34+5x0,75

4-way, 5-pole

PUR/PVC

3.0 m

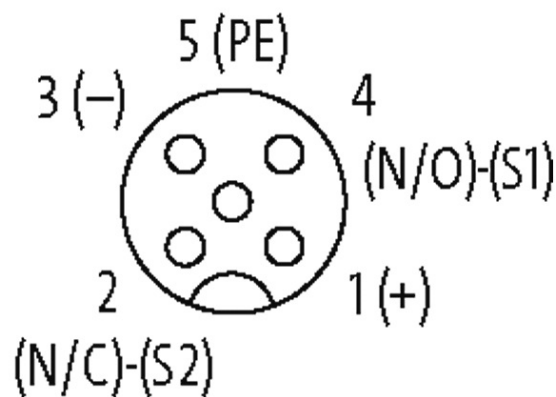
potentially separated

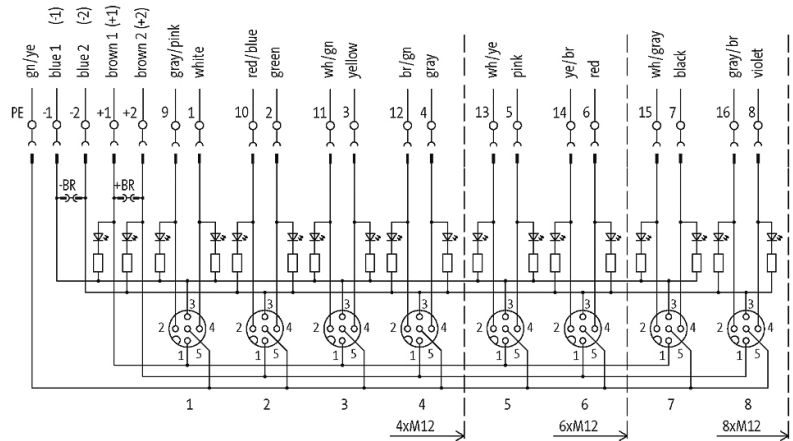
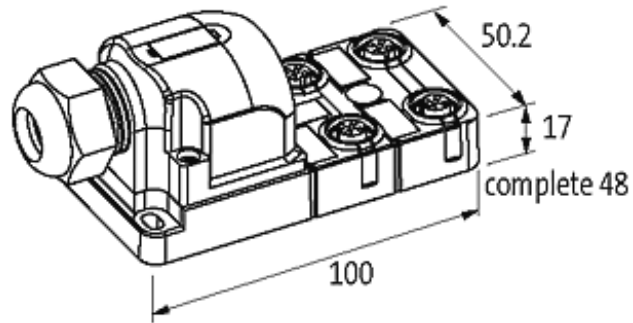
with LED for digital PNP-signals 24 V DC

Further cable lengths on request. Plastic housings with good resistance against chemicals and oils. The resistance to aggressive media should be individually tested for your application. Further details on request.

[Link to Product](#)**Illustration**

M12 Females 5-pole





Product may differ from Image

Approvals



Contact Layout

| | |
|-------------|--|
| PIN 1 | (+) |
| PIN 2 | (NC)/(S2) |
| PIN 3 | (-) |
| PIN 4 | (NO)/(S1) |
| PIN 5 | (Earth) |
| LED display | LED (green): Power / LED (yellow): (S1/S2) |

Cables

| | |
|-----------------------|---------------------------------|
| Cable number | 374 |
| No./diameter of wires | 8×0.34 + 5×0.75 mm ² |
| Wire isolation | PVC |
| C-track properties | 1.5 Mio. |
| Jacket Color | gray |
| Material (jacket) | PUR/PVC |
| Outer Ø | 9.2 mm ±5% |
| Bend radius (fixed) | 10 × outer Ø |

The information in this brochure has been compiled with the utmost care. Liability for the correctness completeness and topicality of the information is restricted to gross negligence. Version: 03/19

| | |
|----------------------------|--------------|
| Bend radius (moving) | 12 × outer Ø |
| Temperature range (fixed) | -30...+80 °C |
| Temperature range (mobile) | -30...+80 °C |
| Color (jacket) | gray |

Technical Data

| | |
|-------------------------------|--|
| Operating current per contact | max. 4 A |
| Signal per port | 2 |
| Total current | max. 2 × 8 A |
| Locking of ports | Screw thread M12 × 1 mm |
| Operating voltage | 24 V DC ±25% |
| Protection | IP65 and IP67 when plugged and screwed down (EN 60529) |
| Material | PBT |
| Housing | Plastic, flame retardant |

General data

| | |
|----------------------|----------------|
| Dimensions H × W × D | 100×50.2×17 mm |
| Temperature range | -20...+80 °C |

Commercial data

| | |
|-----------------------|---------------|
| country of origin | DE |
| customs tariff number | 85369010 |
| EAN | 4048879064316 |
| eClass | 27279219 |
| Packaging unit | 1 |