

**MVP12, 6XM12, 5POLE, PLUGGABLE CABLE**

5.0m PUR/PVC 12x0,34+5x0,75

6-way, 5-pole

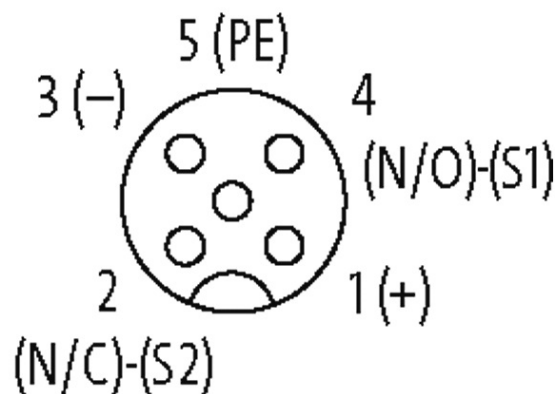
PUR/PVC

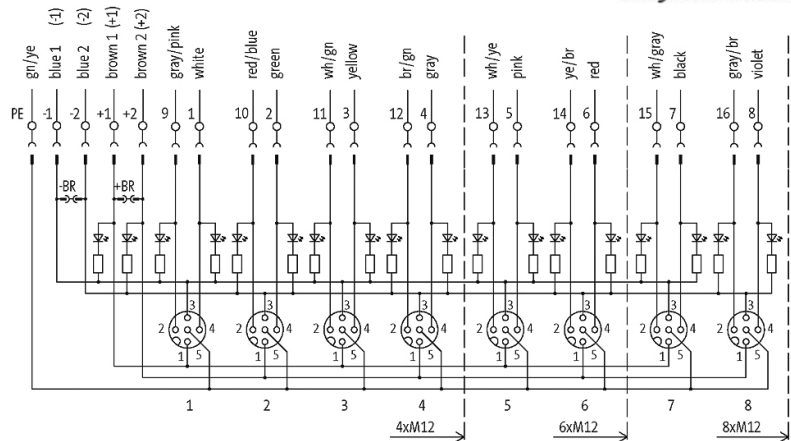
5.0 m

potentially separated

with LED for digital PNP-signals 24 V DC

Further cable lengths on request. Plastic housings with good resistance against chemicals and oils. The resistance to aggressive media should be individually tested for your application. Further details on request.

[Link to Product](#)**Illustration****M12 Females 5-pole**



Product may differ from Image

### Approvals



### Contact Layout

PIN 1	(+)
PIN 2	(NC)/(S2)
PIN 3	(-)
PIN 4	(NO)/(S1)
PIN 5	(Earth)
LED display	LED (green): Power / LED (yellow): (S1/S2)

### Cables

Cable number	392
No./diameter of wires	12×0.34 + 3×0.75 mm <sup>2</sup>
Construction (core)	PVC
Wire isolation	PVC (yebr, rd, grpk, wh, rdbl, gn, whgn, ye, brgn, gr, whye, pk, br, br, bl, bl, gnye)
C-track properties	1.5 Mio.
Jacket Color	gray
Material (jacket)	PUR/PVC
Outer Ø	10.0 mm ±5%
Bend radius (fixed)	7.5 × outer Ø
Bend radius (moving)	12 × outer Ø
Temperature range (fixed)	-30...+80 °C
Temperature range (mobile)	-5...+60 °C

### Technical Data

Operating voltage	24 V DC ±25%
Housing	Plastic, flame retardant
Protection	IP65 and IP67 when plugged and screwed down (EN 60529)

The information in this brochure has been compiled with the utmost care.

Liability for the correctness completeness and topicality of the information is restricted to gross negligence. Version: 03/19

Murrelektronik GmbH | Falkenstraße 3 | 71570 Oppenweiler | Fon +49 (71 91) 47-0 | Fax +49 (71 91) 47-491000 | shop@murrelektronik.com | shop.murrelektronik.com

Material	PBT
Operating current per contact	max. 4 A
Signal per port	2
Total current	max. 2 × 8 A
Locking of ports	Screw thread M12 × 1 mm

**General data**

Temperature range	-20...+80 °C
Dimensions H × W × D	125×50.2×17 mm

**Commercial data**

country of origin	CZ
customs tariff number	85444290
EAN	4048879064262
eClass	27279219
Packaging unit	1