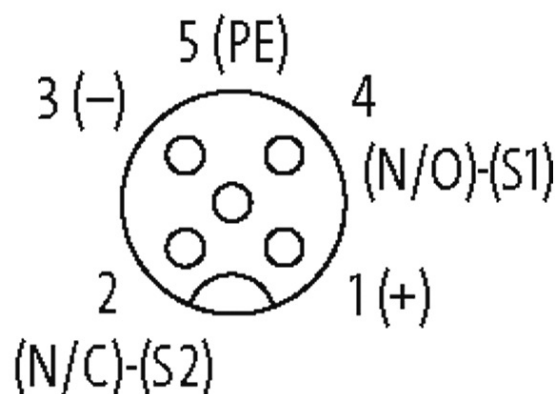


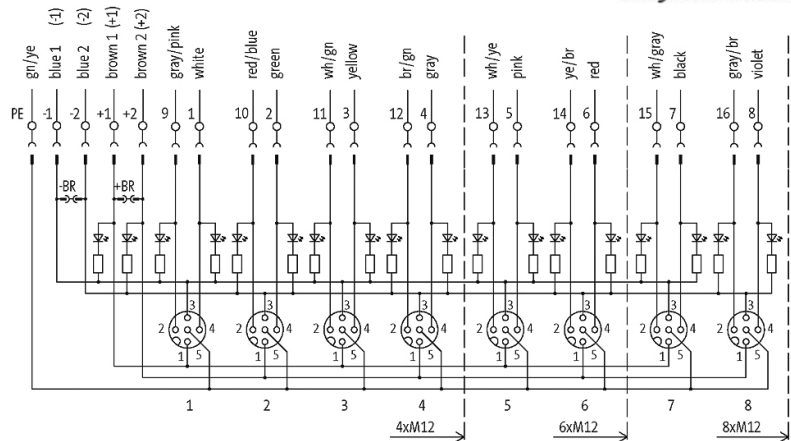
**MVP12, 8XM12, 5POLE, PLUGGABLE CABLE**

3.0m PUR/PVC 16x0,34+5x0,75

8-way, 5-pole  
PUR/PVC  
potentially separated  
with LED for digital PNP-signals 24 V DC

Further cable lengths on request. Plastic housings with good resistance against chemicals and oils. The resistance to aggressive media should be individually tested for your application. Further details on request.

[Link to Product](#)**Illustration****M12 Females 5-pole**



Product may differ from Image

### Approvals



### Contact Layout

PIN 1	(+)
PIN 2	(NC)/(S2)
PIN 3	(-)
PIN 4	(NO)/(S1)
PIN 5	(Earth)
LED display	LED (green): Power / LED (yellow): (S1/S2)

### Cables

Cable number	404
No./diameter of wires	16×0.34 + 5×0.75 mm <sup>2</sup>
Wire isolation	PVC
C-track properties	1.5 Mio.
Jacket Color	gray
Material (jacket)	PUR/PVC
Material (wire)	Cu wire, bare
Resistor (core)	max. 57 Ω/km (0.34 mm <sup>2</sup> ), max. 26 Ω/km (0.75 mm <sup>2</sup> ); (20 °C)
Outer Ø	12.5 mm ±5%
Bend radius (fixed)	10 × outer Ø
Bend radius (moving)	12 × outer Ø
Temperature range (fixed)	-30...+80 °C
Temperature range (mobile)	-30...+80 °C

### Technical Data

Operating voltage	24 V DC ±25%
Housing	Plastic, flame retardant

Protection	IP65 and IP67 when plugged and screwed down (EN 60529)
Material	PBT
Operating current per contact	max. 4 A
Signal per port	2
Total current	max. 2 × 8 A
Locking of ports	Screw thread M12 × 1 mm

**General data**

Temperature range	-20...+80 °C
Dimensions H × W × D	150×50.2×17 mm

**Commercial data**

country of origin	DE
customs tariff number	85369010
EAN	4048879064231
eClass	27279219
Packaging unit	1