

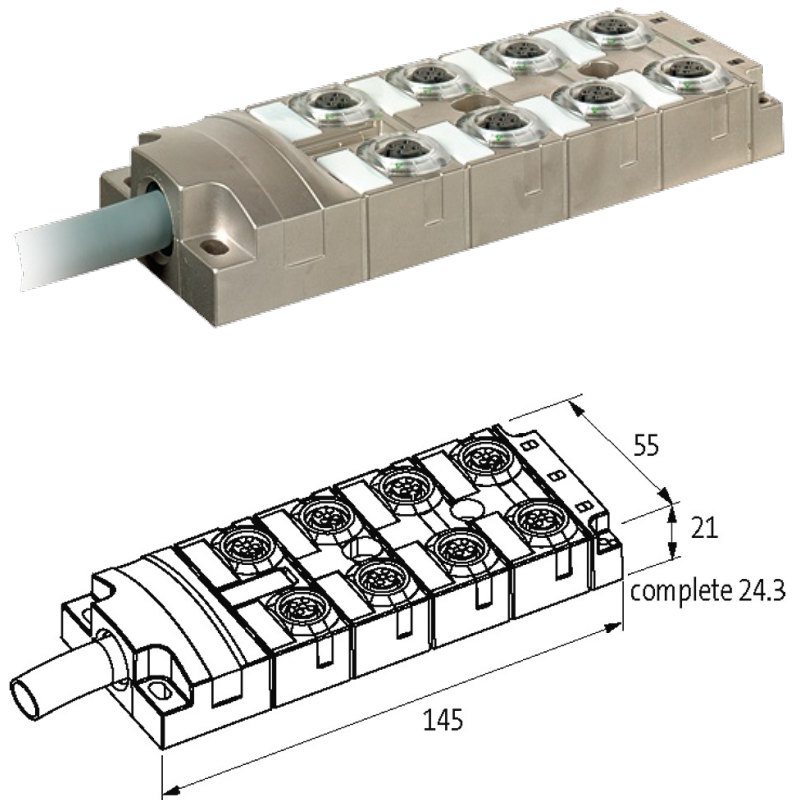
MVP-METALL, 8XM12, 5POLE, PRE-WIRED CABLE

10.0m PUR 16x0,34+5x0,75, UL/CSA

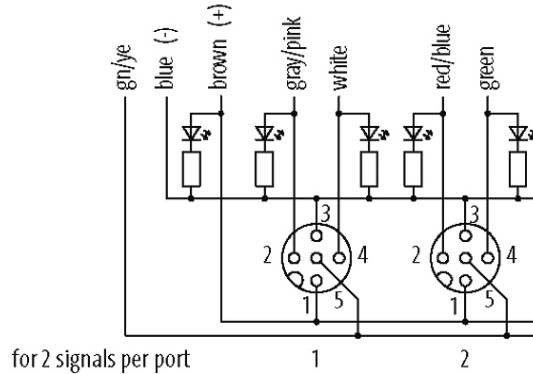
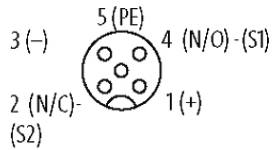
8-way, 5-pole, DIAGNOSTIC

10.0 m

integrated electronic current monitoring with shutoff electronic diagnostic with ERROR LED
LED Further cable lengths on request.

[Link to Product](#)**Illustration**

M12-Females 5-pole



Product may differ from Image

Contact Layout

PIN 1	(+)
PIN 2	(NC)/(S2)
PIN 3	(-)
PIN 4	(NO)/(S1)
PIN 5	(Earth)
LED display	LED (green): Power / LED (yellow): (S1/S2) / LED (red): Failure

Cables

Cable number	403
No./diameter of wires	16×0.34 + 5×0.75 mm ²
Wire isolation	TPE (grpk, wh, rdbl, gn, whgn, ye, brgn, gr, whye, pk, yebr, rd, whgr, bk, grbr, vi, br, bl, gnye)
C-track properties	5 Mio.
Jacket Color	gray
Material (jacket)	PUR (UL/CSA)
Outer Ø	11.5 mm ±5%
Bend radius (moving)	10 × outer Ø
Temperature range (fixed)	-40...+90 °C
Temperature range (mobile)	-25...+80 °C
Approval (cable)	UL (AWM-Style 20233/10042), CSA; CE conform
Material (wire)	Cu wire, bare
Resistor (core)	max. 53 Ω/km (0.34 mm ²); max. 26 Ω/km (0.75 mm ²); (20 °C)
Single wire Ø (core)	0.1 mm
AWG	similar to AWG 22 (0.34 mm ²); similar to AWG 18 (0.75 mm ²)
Material (wire isolation)	TPE-E
Shore hardness (wire isolation)	55 ±5 D
Shield	yes

Shore hardness (jacket)	85 ±5 A
Nominal voltage	300/500 V AC
Test voltage	2 000 V AC
Current load capacity	to DIN VDE 0298-4
Bend radius (fixed)	5 × outer Ø
Bend radius (moving)	10 × outer Ø
No. of bending cycles (C-track)	max. 5 Mio. (25 °C)
Travel speed (C-track)	max. 2 m/s
Acceleration (C-track)	max. 5 m/s ²
Diameter (core)	16×0.34 + 5×0.75 mm ²

Technical Data

Total current	max. 10 A
Operating current (contact 3)	max. 0.5 A (shutoff 0.7...0.9 A)
Required power supply with max. ports	min. 10 A
Housing	Zinc die casting, matte nickel plated
Protection	IP65, IP67, IP68 inserted and tightened (EN 60529)
Locking of ports	Screw thread M12 × 1 mm
Operating voltage	24 V DC (EN 61131-2), potential separation 0 V for left/right side
Current consumption	max. 35 mA
Inrush capacity	max. 1 470 µF
LED display	LED (green): P1 and P2; LED (red): ERROR for optical diagnostics
LED display per port	LED (yellow): contact 4 and 2; 2 × LED (red): for failure
Diagnostic output	active high, max. load 25 mA, wire (brown 2)
Unit protection	pulse switching

General data

Temperature range	-20...+60 °C
Dimensions H × W × D	145×55×21 mm

Description

Functional description	All M12 ports are current monitored regarding 0 V total current (contact 3), and are switched off in case of overload or short-circuit (self-resetting). Supply voltage of other ports remains the same. In case of a fault the DIAGNOSTIC signal "active high"
------------------------	---

Commercial data

country of origin	CZ
customs tariff number	85444290
EAN	4048879063739
eClass	27279219
Packaging unit	1