

M12 DISTRIBUTOR BOX 6-WAY, 5-POLE, W/O LED, CNOMO

MVD6-U-XA M23 connector 19-pole

6-way, 5-pole
M23 plug connection
19-pole used
without LED

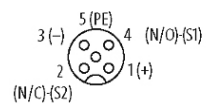
Further cable lengths on request.

[Link to Product](#)

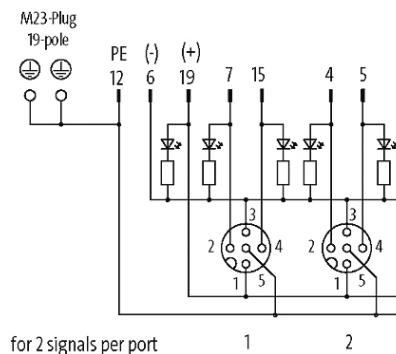
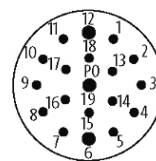
Illustration



M12-Females 5-pole



M23-Plug 19-pole



Product may differ from Image

Contact Layout

PIN 1 (+)

PIN 2 (NC)/(S2)

| | |
|-------|-----------|
| PIN 3 | (-) |
| PIN 4 | (NO)/(S1) |
| PIN 5 | (Earth) |

Technical Data

| | |
|-------------------------------|-------------------------|
| Operating voltage | 24 V DC |
| Operating current per contact | max. 4 A |
| Total current | max. 10 A |
| Signal per port | 2 |
| Locking of ports | Screw thread M12 × 1 mm |

General data

| | |
|----------------------|--|
| Protection | IP67 inserted and tightened (EN 60529) |
| Dimensions H × W × D | 127×54×25 mm |
| Temperature range | -20...+80 °C |

Commercial data

| | |
|-----------------------|---------------|
| country of origin | CZ |
| customs tariff number | 85369010 |
| EAN | 4048879000253 |
| Packaging unit | 1 |