

**MVP12, 4XM12, 5POLE, PLUG. TERM.**

W/o cap, with pot. separation, NPN-LED's

4-way, 5-pole

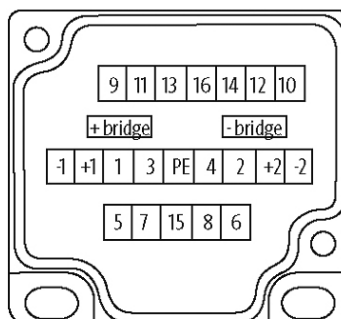
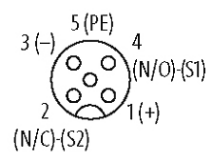
Potential separation as option

with LED for digital NPN-signals 24 V DC

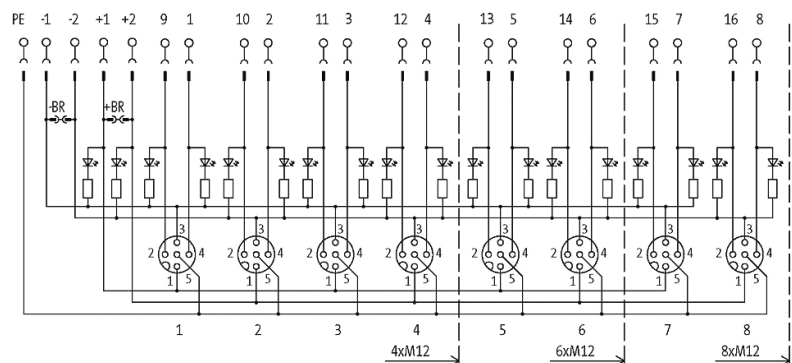
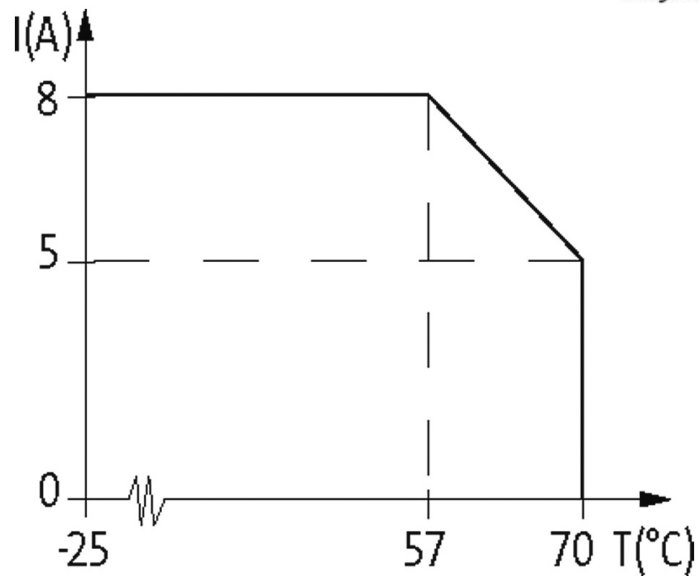
Plastic housings with good resistance against chemicals and oils. The resistance to aggressive media should be individually tested for your application. Further details on request. Further cable lengths on request.

**[Link to Product](#)****Illustration**

M12 Females 5-pole



for 2 signals per port



Product may differ from Image

### Approvals



### Contact Layout

|             |                                            |
|-------------|--------------------------------------------|
| PIN 1       | (+)                                        |
| PIN 2       | (NC)/(S2)                                  |
| PIN 3       | (-)                                        |
| PIN 4       | (NO)/(S1)                                  |
| PIN 5       | (Earth)                                    |
| LED display | LED (green): Power / LED (yellow): (S1/S2) |

### Technical Data

|                               |              |
|-------------------------------|--------------|
| Operating voltage             | 24 V DC      |
| Operating current per contact | max. 4 A     |
| Total current                 | max. 2 × 8 A |
| Signal per port               | 2            |

|                  |                                        |
|------------------|----------------------------------------|
| Locking of ports | Screw thread M12 x 1 mm                |
| Protection       | IP67 inserted and tightened (EN 60529) |
| Housing          | Plastic, flame retardant               |

**General data**

|                      |                   |
|----------------------|-------------------|
| Temperature range    | -20...+80 °C      |
| Dimensions H x W x D | 99.2x50.2x16.5 mm |

**Commercial data**

|                       |               |
|-----------------------|---------------|
| country of origin     | DE            |
| customs tariff number | 85369010      |
| EAN                   | 4048879061797 |
| eClass                | 27279219      |
| Packaging unit        | 1             |