

**MVP12, 4XM12, 4POLE, PLUGGABLE CABLE**

5.0m PUR/PVC 8x0,34+5x0,75, w/o LED's

4-way, 5-pole

PUR/PVC

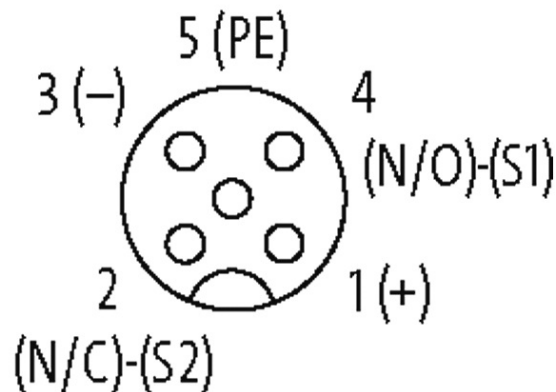
5.0 m

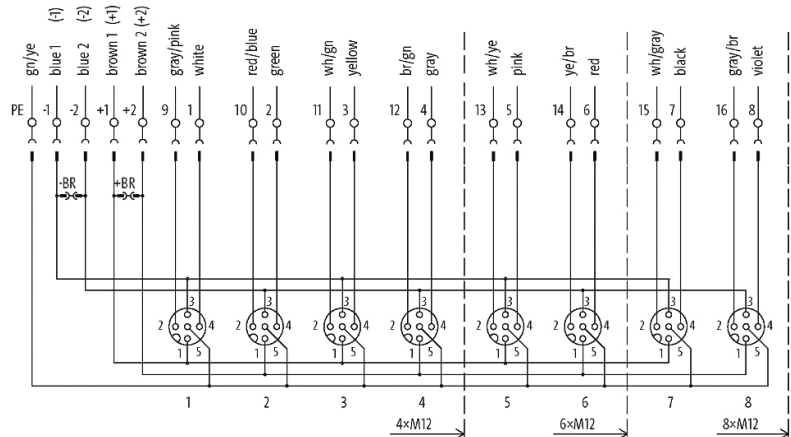
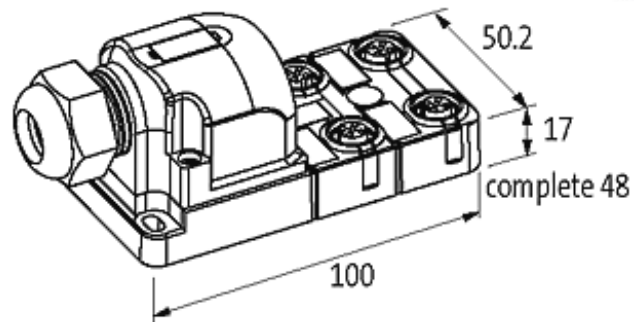
Potential separation as option

Further cable lengths on request. Plastic housings with good resistance against chemicals and oils. The resistance to aggressive media should be individually tested for your application. Further details on request.

[Link to Product](#)**Illustration**

M12 Females 5-pole





Product may differ from Image

### Approvals



### Contact Layout

PIN 1	(+)
PIN 2	(NC)/(S2)
PIN 3	(-)
PIN 4	(NO)/(S1)
PIN 5	(Earth)

### Cables

Cable number	374
No./diameter of wires	8×0.34 + 5×0.75 mm <sup>2</sup>
Wire isolation	PVC
C-track properties	1.5 Mio.
Jacket Color	gray
Material (jacket)	PUR/PVC
Outer Ø	9.2 mm ±5%
Bend radius (fixed)	10 × outer Ø
Bend radius (moving)	12 × outer Ø

Temperature range (fixed)	-30...+80 °C
Temperature range (mobile)	-30...+80 °C
Color (jacket)	gray

#### Technical Data

Operating voltage	24 V DC
Operating current per contact	max. 4 A
Signal per port	2
Total current	max. 2 × 8 A
Housing	Plastic, flame retardant
Protection	IP67 inserted and tightened (EN 60529)
Locking of ports	Screw thread M12 × 1 mm

#### General data

Temperature range	-20...+80 °C
Dimensions H × W × D	99.2×50.2×17.2 mm

#### Commercial data

country of origin	DE
customs tariff number	85369010
EAN	4048879061650
eClass	27279219
Packaging unit	1