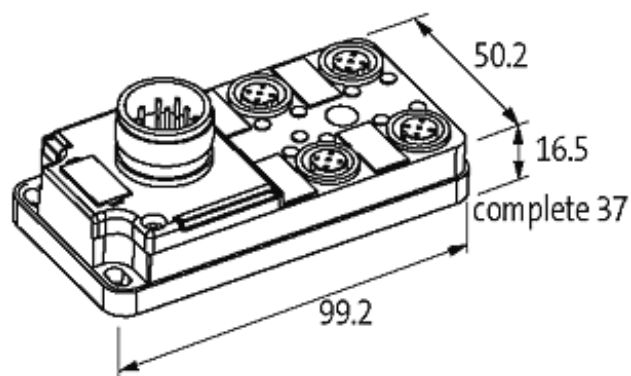


**MVP12, 4XM12, 5POLE, M23 19POL. CON.**

Connector exit frontside

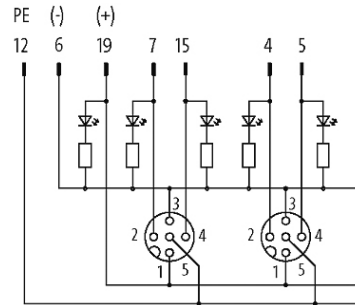
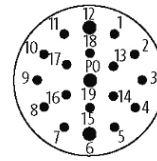
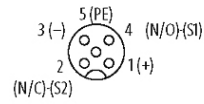
4-way, 5-pole  
M23 plug connection  
19-pole used  
with LED for digital PNP-signals 24 V DC

Plastic housings with good resistance against chemicals and oils. The resistance to aggressive media should be individually tested for your application. Further details on request.

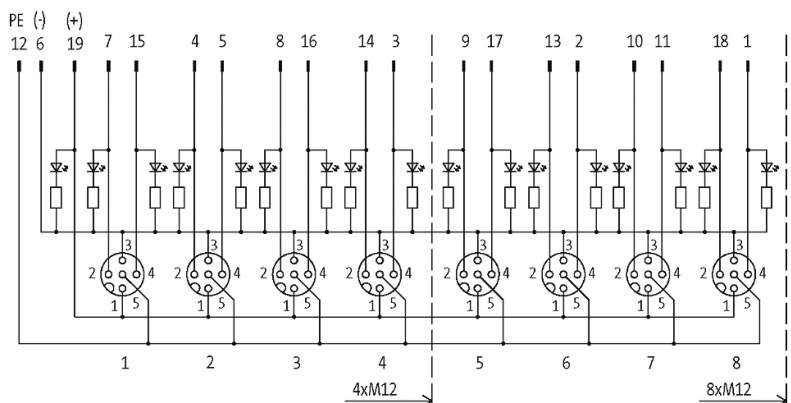
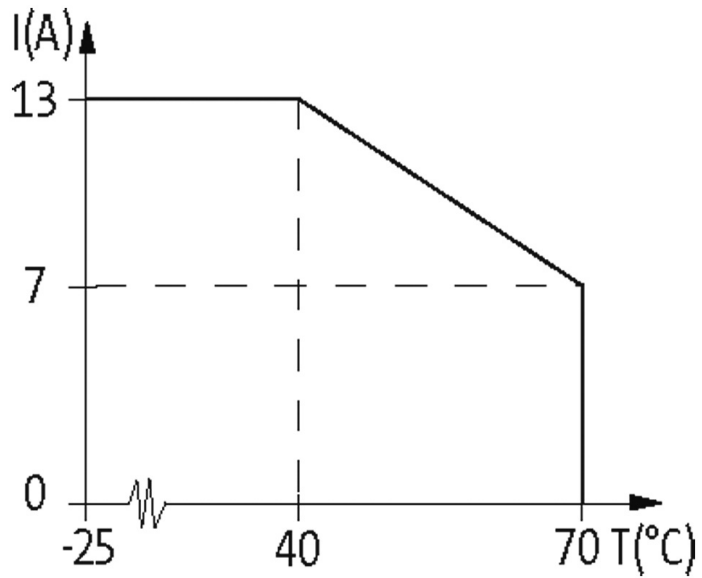
[Link to Product](#)**Illustration**

M12-Females 5-pole

M23-Plug 19-pole



for 2 signals per port 1 2



Product may differ from Image

### Approvals



### Contact Layout

|             |  |
|-------------|--|
| PIN 1       | (+)  |
| PIN 2       | (NC)/(S2)                                  |
| PIN 3       | (-)  |
| PIN 4       | (NO)/(S1)                                  |
| PIN 5       | (Earth)                                    |
| LED display | LED (green): Power / LED (yellow): (S1/S2) |

### Technical Data

|                               |  |
|-------------------------------|--|
| Operating voltage             | 24 V DC                                |
| Operating current per contact | max. 4 A                               |
| Signal per port               | 2                                      |
| Total current                 | max. 10 A                              |
| Housing                       | Plastic, flame retardant               |
| Protection                    | IP67 inserted and tightened (EN 60529) |
| Locking of ports              | Screw thread M12 × 1 mm                |

### General data

|                      |                   |
|----------------------|-------------------|
| Temperature range    | -20...+80 °C      |
| Dimensions H × W × D | 99.2×50.2×16.5 mm |

### Commercial data

|                       |               |
|-----------------------|---------------|
| country of origin     | DE            |
| customs tariff number | 85369010      |
| EAN                   | 4048879063210 |
| eClass                | 27279219      |
| Packaging unit        | 1             |