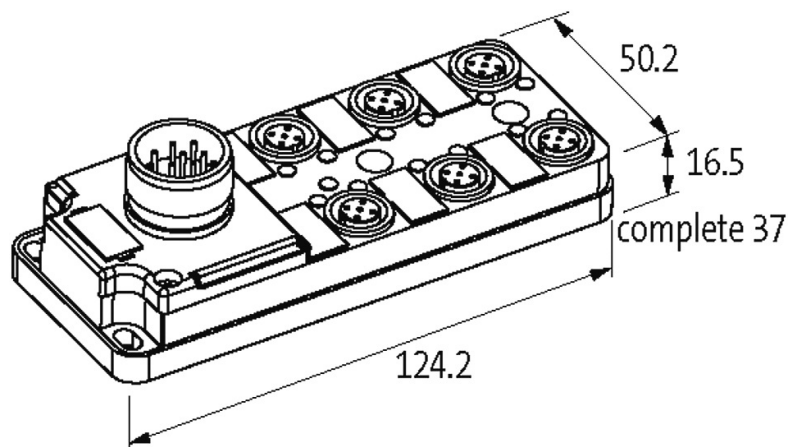


**MVP12, 6XM12, 5POLE, M23 19POL. CON.**

Connector exit frontside

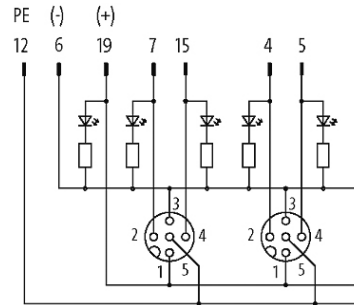
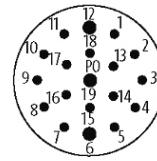
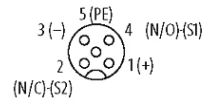
6-way, 5-pole  
M23 plug connection  
19-pole used  
with LED for digital PNP-signals 24 V DC

Plastic housings with good resistance against chemicals and oils. The resistance to aggressive media should be individually tested for your application. Further details on request.

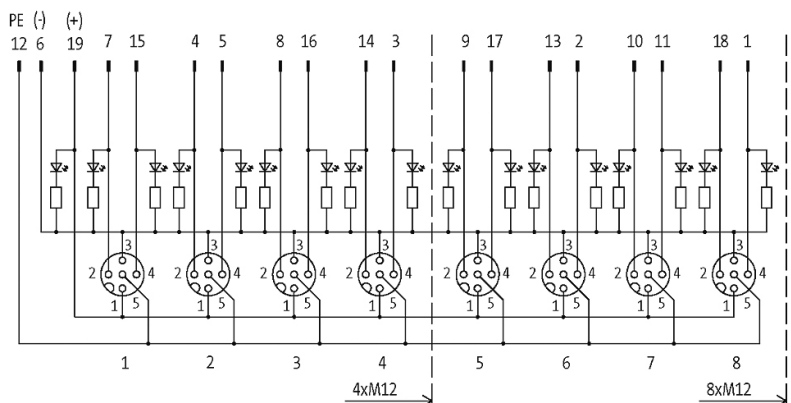
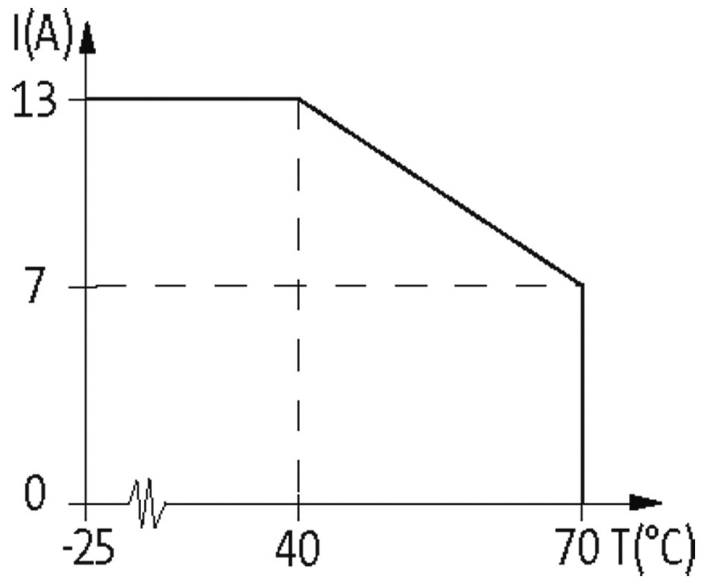
[Link to Product](#)**Illustration**

M12-Females 5-pole

M23-Plug 19-pole



for 2 signals per port 1 2



Product may differ from Image

### Approvals



### Contact Layout

PIN 1	(+)
PIN 2	(NC)/(S2)
PIN 3	(-)
PIN 4	(NO)/(S1)
PIN 5	(Earth)
LED display	LED (green): Power / LED (yellow): (S1/S2)

### Technical Data

Operating voltage	24 V DC
Signal per port	2
Operating current per contact	max. 4 A
Total current	max. 10 A
Housing	Plastic, flame retardant
Protection	IP67 inserted and tightened (EN 60529)
Locking of ports	Screw thread M12 × 1 mm

### General data

Temperature range	-20...+80 °C
Dimensions H × W × D	99.2×50.2×16.5 mm

### Commercial data

country of origin	DE
customs tariff number	85369010
EAN	4048879063203
eClass	27279219
Packaging unit	1