

MVP12, 4XM12, 5POLE, M23 19POL. CON.

Connector exit 90°

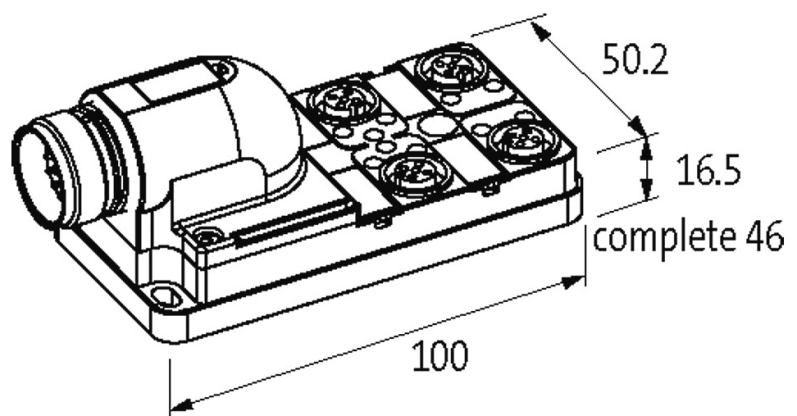
4-way, 5-pole

M23 plug connection, 90°

19-pole used

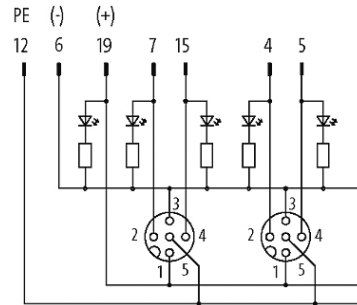
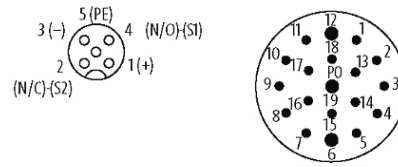
with LED for digital PNP-signals 24 V DC

Plastic housings with good resistance against chemicals and oils. The resistance to aggressive media should be individually tested for your application. Further details on request. Further cable lengths on request.

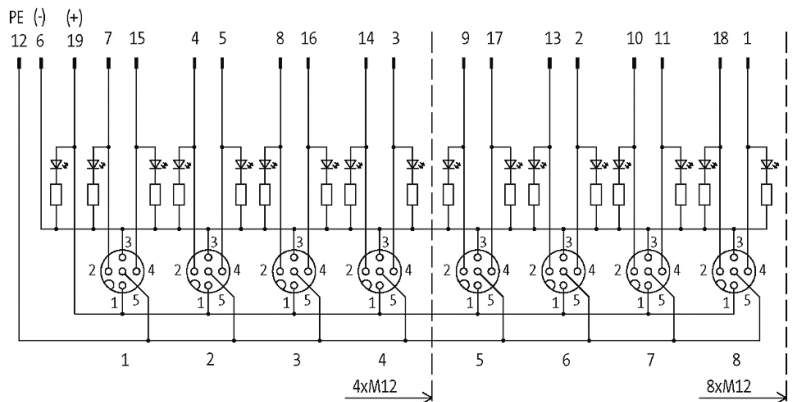
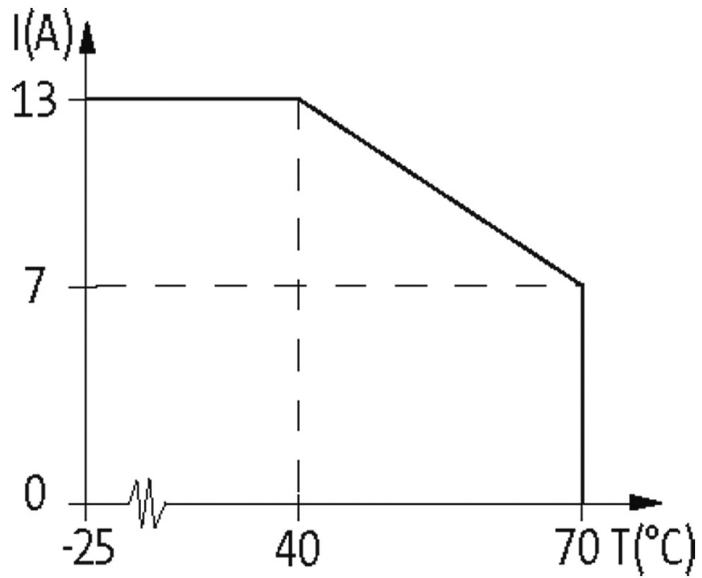
[Link to Product](#)**Illustration**

M12-Females 5-pole

M23-Plug 19-pole



for 2 signals per port 1 2



Product may differ from Image

Approvals



Contact Layout

| | |
|-------------|--|
| PIN 1 | (+) |
| PIN 2 | (NC)/(S2) |
| PIN 3 | (-) |
| PIN 4 | (NO)/(S1) |
| PIN 5 | (Earth) |
| LED display | LED (green): Power / LED (yellow): (S1/S2) |

Technical Data

| | |
|-------------------------------|--|
| Operating voltage | 24 V DC |
| Signal per port | 2 |
| Operating current per contact | max. 4 A |
| Total current | max. 7.5 A |
| Locking of ports | Screw thread M12 × 1 mm |
| Housing | Plastic, flame retardant |
| Protection | IP67 inserted and tightened (EN 60529) |

General data

| | |
|----------------------|------------------|
| Temperature range | -20...+80 °C |
| Dimensions H × W × D | 100×50.2×16.5 mm |

Commercial data

| | |
|-----------------------|---------------|
| country of origin | DE |
| customs tariff number | 85369010 |
| EAN | 4048879063166 |
| eClass | 27279219 |
| Packaging unit | 1 |