

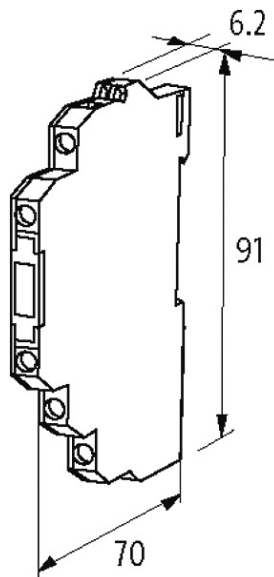
MIRO 6.2 MULTI-TIMER TRANSISTOR SK

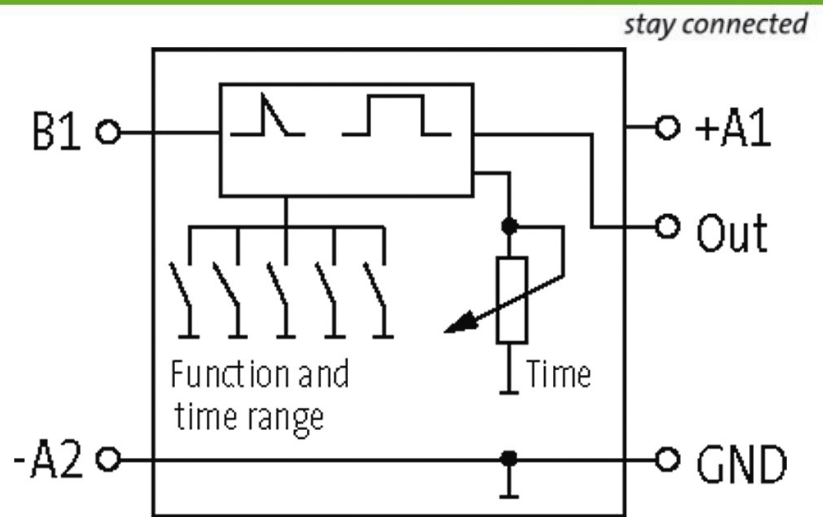
IN: 24 VDC - OUT: 24 VDC / 0.1 A

Transistor output

Impulse expansion: 10 ms...100 s

Screw terminals

[Link to Product](#)**Illustration**



Product may differ from Image

Input

Input voltage	18...30 V DC
Control voltage	18...30 V DC

General data

Dimensions H x W x D	91x6.2x70 mm
Test isolation voltage	no galvanic separation
Mounting method	DIN-rail mountable (EN 60715)
Temperature range	-25...+60 °C

Output

Switching voltage	Operating voltage – 0.2 V
Switching current per output	max. 100 mA
Min. load current	1 mA (short-circuit protected)
Switching frequency	max. 50 Hz

Commercial data

country of origin	CZ
customs tariff number	85364900
EAN	4048879021265
eClass	27210990
Packaging unit	1