

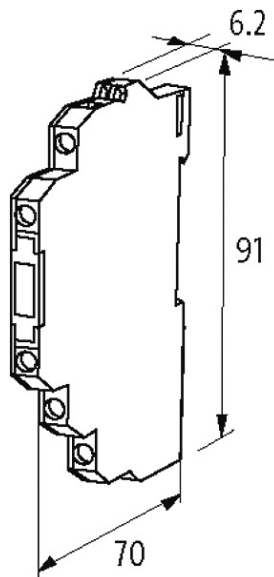
MIRO 6.2 MULTI-TIMER RELAY SK

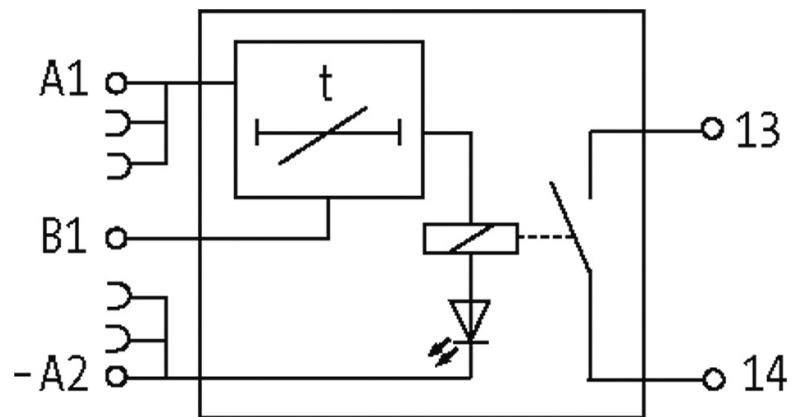
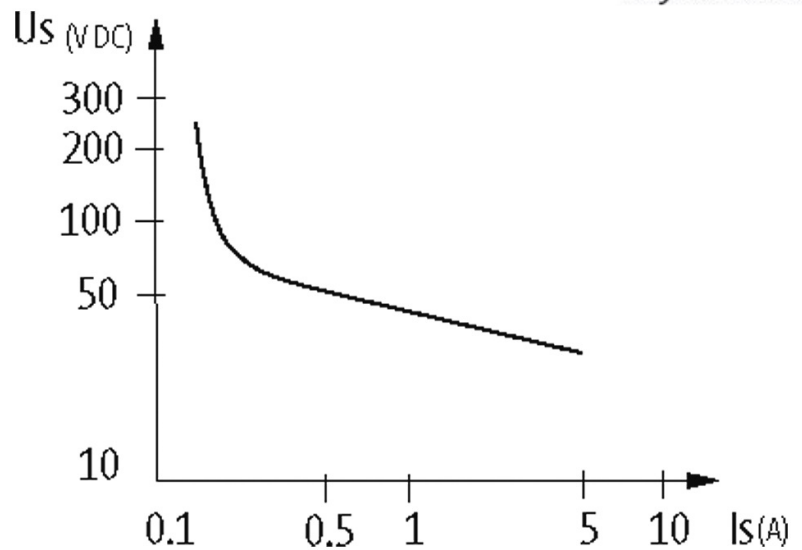
IN: 24 VDC - OUT: 250 VAC/DC / 6A

Relay output

Impulse expansion: 100 ms...100 s

Screw terminals

[Link to Product](#)**Illustration**



Product may differ from Image

Input

Input voltage	18...30 V DC
Control voltage	18...30 V DC

Utilization category

AC-12	6 A (24/110/230 V AC)
AC-15	3 A (24/110/230 V AC)
DC-13	1 A (24 V DC); 0.2 A (110 V DC); 0.1 A (230 V DC)

General data

Dimensions H x W x D	91x6.2x70 mm
Mech./elect. life	20 000 000 switching cycles/load dependent
Test isolation voltage	4 kV; safe separation (VDE 0106/ VDE 0160)
Mounting method	DIN-rail mountable (EN 60715)
Temperature range	-20...+60 °C

Output

Switching voltage	max. 250 V AC/DC
Switching current per output	max. 6 A

Min. load current	10 mA
Switching frequency	max. 5 Hz
Contact material	Ag Sn O ₂
Energize/release/contact bounce time	19/15/1.5 ms

Commercial data

country of origin	CZ
customs tariff number	85364900
EAN	4048879021258
eClass	27210990
Packaging unit	1