

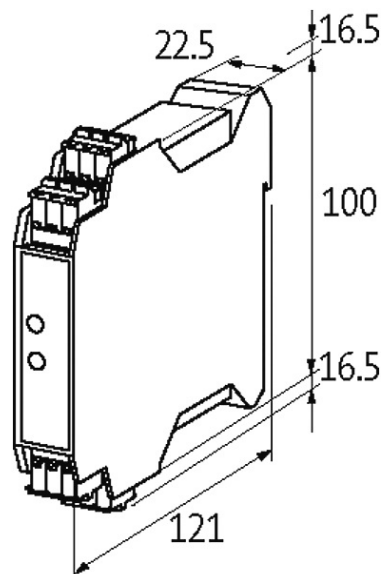
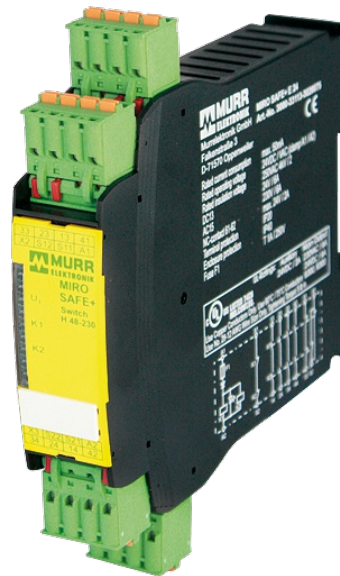
MIRO SAFE+ SWITCH H 48-230

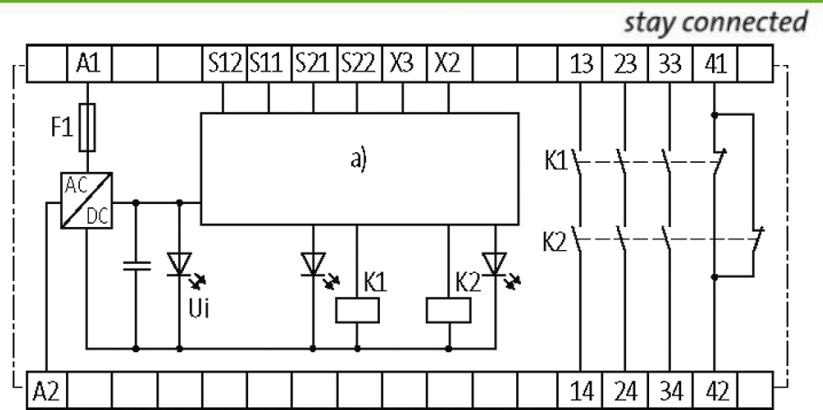
48-230 VAC - 3 N/O contact / 1 N/C contact

6 A

Protection-door and emergency-stop control

Automatic/manual/manual monitored reset/start

[Link to Product](#)**Illustration**



Product may differ from Image

Approvals



Input

Input voltage	48...240 V AC
Input current	max. 2.8 VA

Safety Indicators

PL	up to e
Category	up to 4
DC	99%
SIL	up to 3
Service life	20 years

Utilization category

Safety contacts (STOP 0)	max. 250 V AC/6 A; min. 10 V AC/10 mA (resist./ind.), at suitable suppression
AC-15	6 A (230 V AC) STOP0
DC-13	6 A (24 V DC) STOP0

General data

Mech./elect. life	10 000 000 switching cycles/load dependent
Connection	Spring clamp plug-in terminals
Mounting method	DIN-rail mountable (EN 60715)
Dimensions H x W x D	100x22.5x121 mm
Temperature range	-25...+45 °C (storage temperature -40...+85 °C)

Output

Switching voltage	max. 250 V AC/DC
Switching current per output	max. 6 A
No. of auxiliary contacts	1 - (41-42)
No. of alarm outputs	0

No. of safety contacts	3 - (13-14); (23-24); (33-34)
Contact material	Ag Sn O, self cleaning, positively driven

Commercial data

country of origin	DE
customs tariff number	85364900
EAN	4048879367530
eClass	27371819
Packaging unit	1