

**MIRO SAFE+ T 1 24**

24 VAC/DC - 2 N/O contact / 1 N/O contact delayed

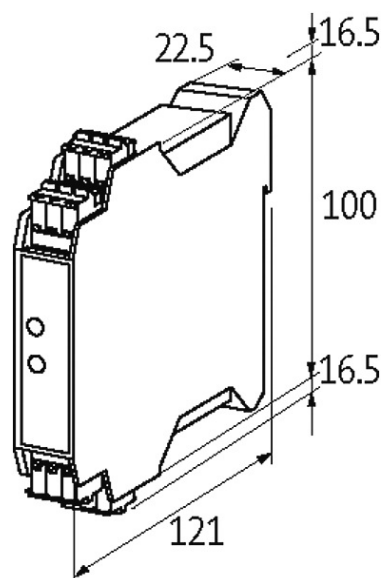
6 A (STOP1); 8 A (STOP0)

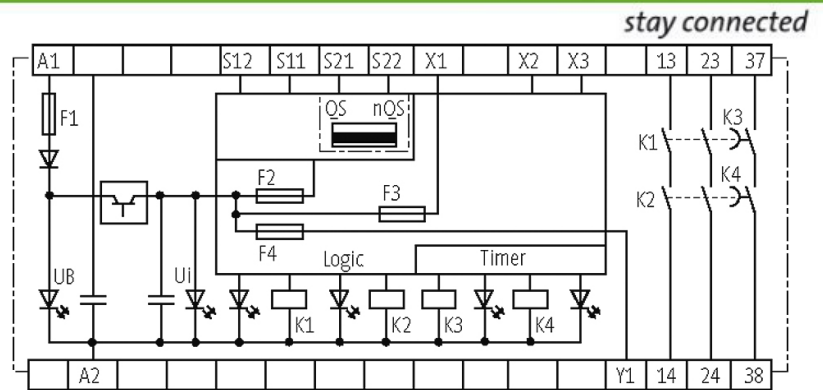
Protection-door and emergency-stop control

Light curtain control

Safety magnetic switch control

Automatic/manual/manual monitored reset/start

**[Link to Product](#)****Illustration**



Product may differ from Image

### Approvals



### Input

Input voltage	24 V DC (-15 +20%), 24 V AC (-15 +10%)
Input current	5.9 VA/2.4 W (with monitoring output)

### Safety Indicators

PL	up to e (STOP0); up to d (STOP1)
Category	up to 4 (STOP0); up to 3 (STOP1)
DC	99% (STOP0); min. 60% (STOP1)
SIL	up to 3 (STOP0); up to 2 (STOP1)
Service life	20 years

### Utilization category

Safety contacts (STOP 0)	max. 250 V AC/8 A; min. 5 V AC/5 mA (resist./ind.), at suitable suppression
Safety contacts (STOP 1)	max. 250 V AC/6 A; min. 10 V AC/10 mA (resist./ind.), at suitable suppression
AC-15	6 A (230 V AC) STOP0; 3 A (230 V AC) STOP1
DC-13	5 A (24 V DC) STOP0; 2 A (24 V DC) STOP1

### General data

Mech./elect. life	10 000 000 switching cycles/load dependent
Connection	Spring clamp plug-in terminals
Mounting method	DIN-rail mountable (EN 60715)
Dimensions H × W × D	100×22.5×121 mm
Temperature range	-25...+60 °C (storage temperature -40...+85 °C)

### Output

Switching voltage	max. 250 V AC/DC
Switching current per output	max. 8 A (STOP0); max. 6 A (STOP1)
No. of auxiliary contacts	0

No. of alarm outputs	1 - (Y1)
No. of safety contacts	2 - (13-14), (23-24), STOP0; 1 - (37-38), STOP1
Contact material	Ag Sn O, self cleaning, positively driven

**Commercial data**

country of origin	DE
customs tariff number	85364900
EAN	4048879367615
eClass	27371819
Packaging unit	1