

## EUROCARD HOLDER

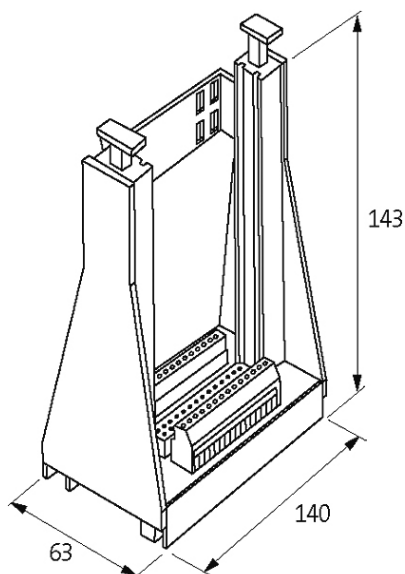
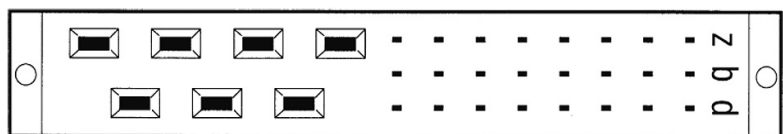
SKP 24/7-M-FK

Spring clamp terminals  
24-, 7-pole M (EN 60603)  
Row z, b, d

With the vertical snap adapter SASA 135 Art.-No. 63900 the holder can be mounted at right-angles on the rail. The D2 size is for a card without a front plate.

### [Link to Product](#)

#### Illustration



Product may differ from image

The information in this brochure has been compiled with the utmost care.

Liability for the correctness completeness and topicality of the information is restricted to gross negligence. Version: 03/19

Murrelektronik GmbH | Falkenstraße 3 | 71570 Oppenweiler | Fon +49 (71 91) 47-0 | Fax +49 (71 91) 47-491000 | shop@murrelektronik.com | shop.murrelektronik.com

Product may differ from image

### Technical Data

Operating voltage	250 V AC (24-pole)/ 500 V AC (7-pole)
Operating current	max. 4 A (24-pole)/15 A (7-pole)
Configuration	24-, 7-pole M (EN 60603)
Material group	EN 60664-1 over voltage, category I
Material	Plastic, flame retardant

### General data

Connection	4 mm <sup>2</sup> single core
Mounting method	DIN-rail mountable (EN 60715) or screw fixing
Dimensions H x W x D	63x137x170 mm

### Description

Functional description	To insert the card first press down the 2 yellow buttons. Then slide the Eurocard into the guide slots pushing until fully engaged. The card is now locked into position. It can be removed by pressing down on the 2 yellow buttons.
------------------------	---

### Commercial data

country of origin	CZ
customs tariff number	85369010
EAN	4048879038607
eClass	27260710
Packaging unit	1