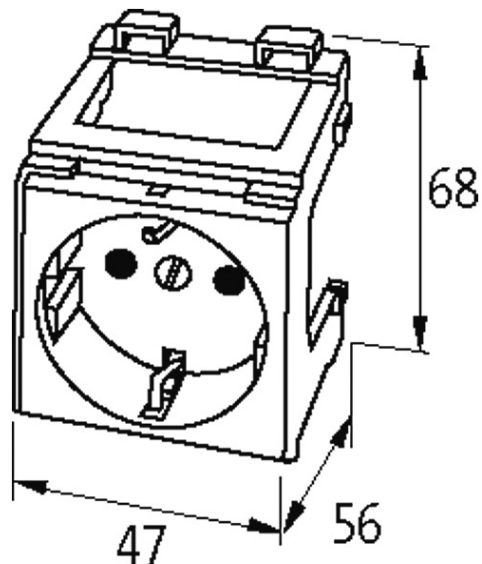


MODLINK MSVD CABINET POWER OUTLETS

Italy- dual socket 250V AC / 16 A

Italy (white)
Screw terminals[Link to Product](#)**Illustration**

Product may differ from Image

Approvals

CEI 23-16

Technical Data

Operating voltage	250 V AC
Operating current	16 A

General data

Mounting method	DIN-rail mountable (EN 60715)
Connection	Screw terminals: max. 2 × 2.5 mm ² (AWG 14)
Dimensions H × W × D	68×47×56 mm

Commercial data

country of origin	HU
customs tariff number	85366990
EAN	4048879031325
eClass	27143423
Packaging unit	1