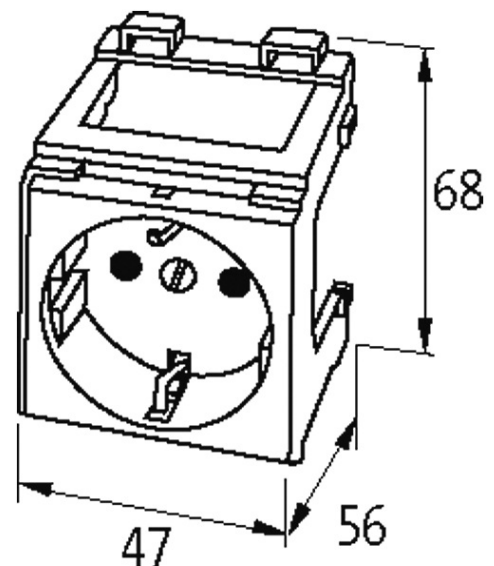


MODLINK MSVD CABINET POWER OUTLETS

Switzerland 250V AC / 10 A

Swiss (white)
Spring clamp terminals[Link to Product](#)**Illustration**

Product may differ from Image

Technical Data

Operating voltage	250 V AC
Operating current	10 A

General data

Mounting method	DIN-rail mountable (EN 60715)
Connection	Spring clamp terminals: max. 2 × 1.5 mm ² (AWG 16)
Dimensions H × W × D	68×47×56 mm

Commercial data

country of origin	HU
customs tariff number	85366990
EAN	4048879031295
eClass	27143423
Packaging unit	1