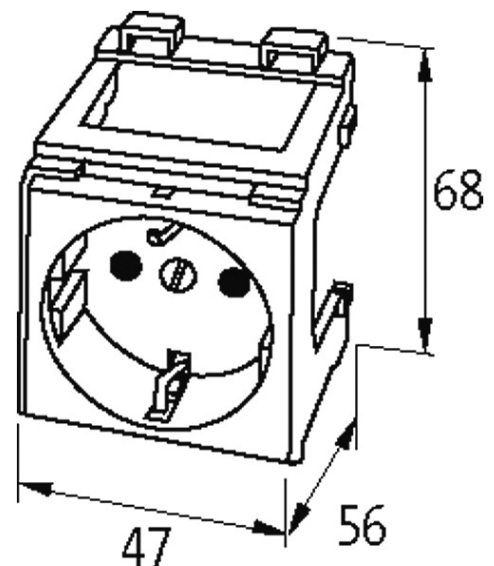


**MODLINK MSVD CABINET POWER OUTLETS**

Denmark 250V AC / 13 A, spring clamp terminals

Denmark (white)  
Spring clamp terminals[Link to Product](#)**Illustration**

Product may differ from Image

**Technical Data**

|                   |          |
|-------------------|----------|
| Operating voltage | 250 V AC |
| Operating current | 13 A     |

**General data**

|                      |   |
|----------------------|---|
| Mounting method      | DIN-rail mountable (EN 60715)                                 |
| Connection           | Spring clamp terminals: max. 2 × 2.5 mm <sup>2</sup> (AWG 14) |
| Dimensions H × W × D | 68×47×56 mm   |

**Commercial data**

|                       |               |
|-----------------------|---------------|
| country of origin     | DE            |
| customs tariff number | 85366990      |
| EAN                   | 4048879031240 |
| eClass                | 27143423      |
| Packaging unit        | 1             |