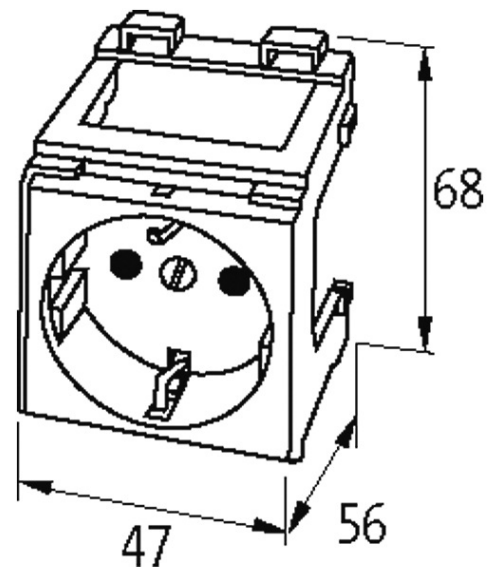


## CHINA SOCKET MODULE

China (white)  
Screw terminals

### [Link to Product](#)

#### Illustration



Product may differ from Image

#### Approvals

**Technical Data**

Operating voltage	250 V AC
Operating current	10 A

**General data**

Mounting method	DIN-rail mountable (EN 60715)
Connection	Screw terminals: max. 2 × 4 mm <sup>2</sup> (AWG 12)
Dimensions H × W × D	68×47×57 mm

**Commercial data**

country of origin	FR
customs tariff number	85366990
EAN	4048879031196
eClass	27143423
Packaging unit	1