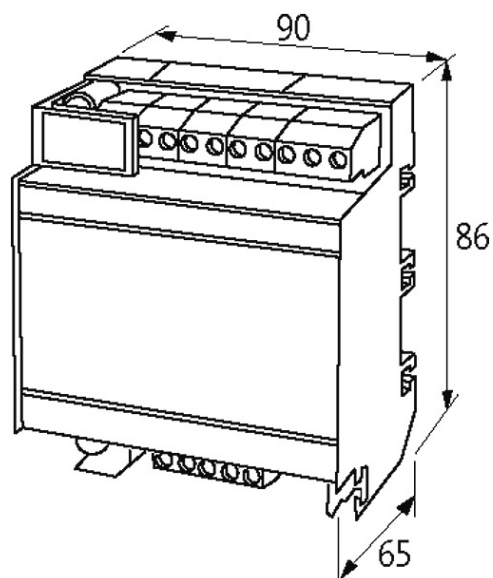


**A/D-CONVERTER 10-BIT - INPUT 0 ... 10V**

Product discontinued, no alternative

A/D converter  
10 Bit  
0...10 V

Input and output galvanically separated

**[Link to Product](#)****Illustration**

Product may differ from Image

### Input

Input current	type dependent
Input signal	type dependent

### Technical Data

Operating voltage	2 × 21...30 V DC, smoothed (with LED)
Operating current	60 mA (idle load) plus max. 100 mA per digital output
Tolerance	±1 LSB
Conversion time	80 ms, (6 Bit adjustable 2.5...150 ms)
Release input E	log 1 ≥ 16 V, log 0 ≤ 6 V

### General data

Test isolation voltage	2.5 kV
Mounting method	DIN-rail mountable (EN 60715)
Temperature range	0...+85 °C
Dimensions H × W × D	62×86×90 mm

### Output

Output current	100 mA/Bit, with LED
----------------	----------------------

### Description

Functional description	On modules with voltage inputs, it is possible to set the maximum input signal using a trimmer. The output "POL" indicates the polarity. A voltage output U <sub>out</sub> 15 V/20 mA (minimal ripple) can be used as a power supply for the analog output device. The hold
------------------------	---

### Commercial data

country of origin	CZ
customs tariff number	85437090
EAN	4048879028660
eClass	27210990
Packaging unit	1