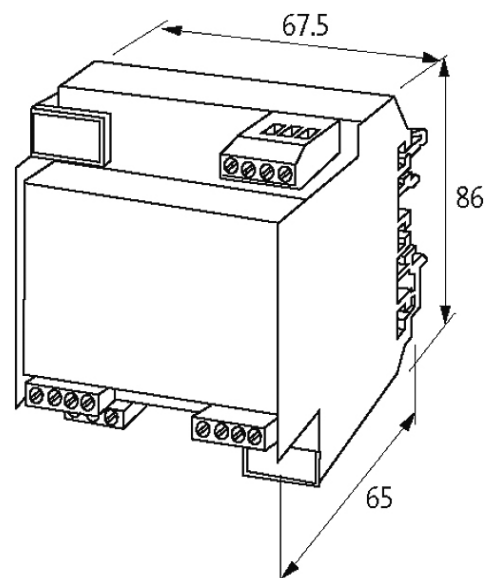


D/A-CONVERTER 10-BIT - OUTPUT 0 ... 10V

Product discontinued, no alternative

D/A converter
10 Bit
0...10 V

Input and output galvanically separated

[Link to Product](#)**Illustration**

Product may differ from Image

Input	
Input signal	0...30 V DC (with LED display)
Input current	max. 10 mA/Bit
Technical Data	
Operating voltage	21...30 V DC, smoothed (with LED)
Operating current	100 mA (idle load), max. 150 mA (full load)
Tolerance	±1%
Release input E	log 1 ≥ 16 V, log 0 ≤ 6 V
General data	
Dimensions H × W × D	65×67.5×86 mm
Test isolation voltage	2.5 kV
Mounting method	DIN-rail mountable (EN 60715)
Temperature range	0...+50 °C
Output	
Output current	max. 40 mA (0...10 V DC); max. 20 mA (0...20 mA), 4...20 mA
Description	
Functional description	The maximum output signal of converters with voltage output can be adjusted to the operating voltage minus 2 V. The outputs are short-circuit protected and overload protected due to internal current limiting.
Commercial data	
country of origin	CZ
customs tariff number	85437090
EAN	4048879028622
eClass	27210990
Packaging unit	1