

DEMAGNETIZER WITH ALARM CONTACT

Input: 24VDC Output: 24VDC / 1,5A

INPUT: 24 V DC

OUTPUT: 24 V DC

max. 1.5 A (short-circuit protected)

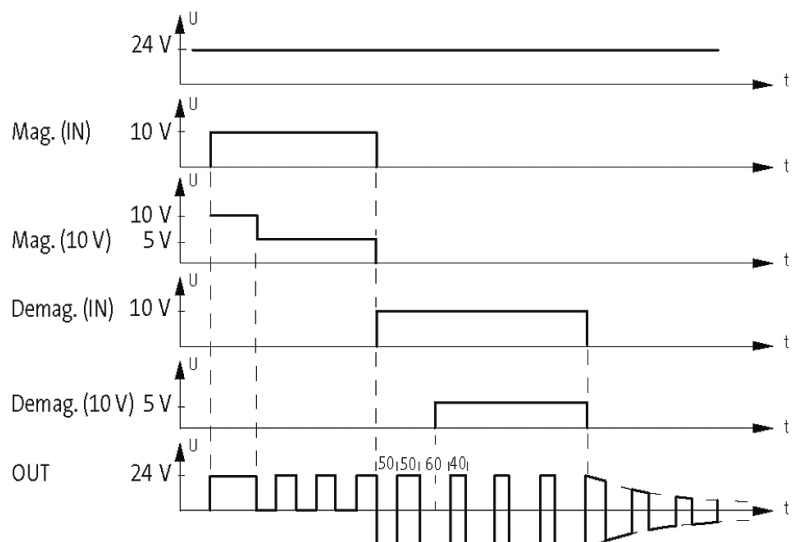
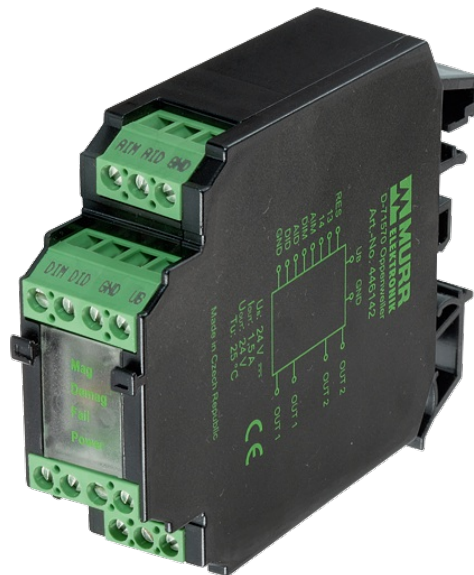
Screw terminals

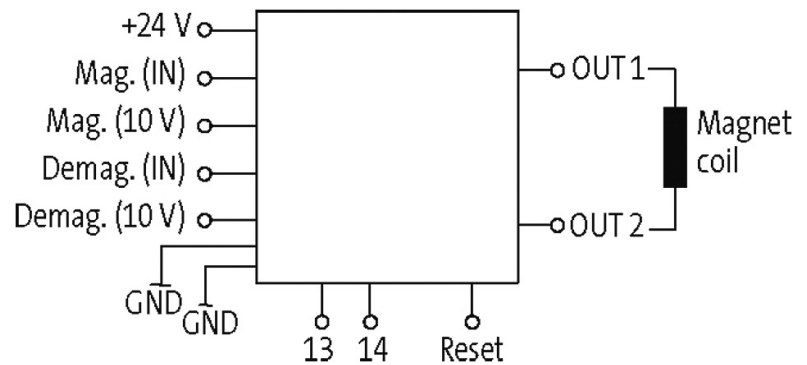
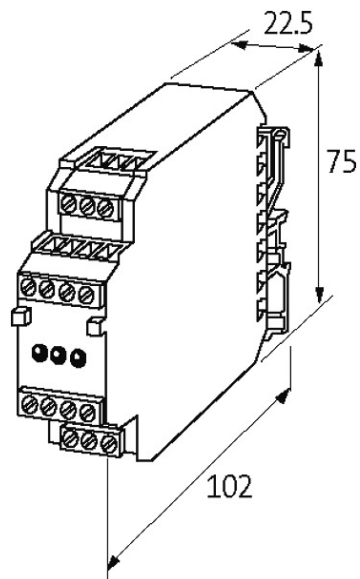
potential free 30 V AC/DC, 100 mA

If the previous model 446140 is replaced by 446142, the Reset-Input must be conneted to +24 V DC

[Link to Product](#)

Illustration





Product may differ from Image

Input

Input resistor	approx. 10 k Ω
Magnetization (digital)	safe OFF: max. 1V; safe ON: min. 5V (LED green)
Magnetization (analog)	0.8...8.8 V (0...100%)
Demagnetization (digital)	safe OFF: max. 1V; safe ON: min. 5V (LED yellow)
Demagnetization (analog)	0...10 V (44...55%)

Technical Data

Operating voltage	24 V DC (18...30 V DC)
Operating current	approx. 40 mA
LED display	LED (green)
Invers-polarity protection	yes
	potential free 30 V AC/DC, 100 mA

General data

Protection	IP20
Mounting method	DIN-rail mountable (EN 60715)
Connection	Screw terminals

Temperature range	-25...+50 °C (storage temperature -40...+80 °C)
-------------------	---

Dimensions H x W x D	75x22.5x102 mm
----------------------	----------------

Output

Output voltage	24 V DC
----------------	---------

Output current	max. 1.5 A (short-circuit protected)
----------------	--------------------------------------

PWM frequency	approx. 800 Hz
---------------	----------------

Commercial data

country of origin	CZ
-------------------	----

customs tariff number	85437090
-----------------------	----------

EAN	4048879308496
-----	---------------

eClass	27210990
--------	----------

Packaging unit	1
----------------	---