

MVP12, 4XM12, MOSA, PLUGGABLE CABLE

15.0m PUR-JB 8x0,34+5x0,75

4-way, 5-pole, MOSA

PUR/PVC (UL/CSA)

15.0 m

potentially separated

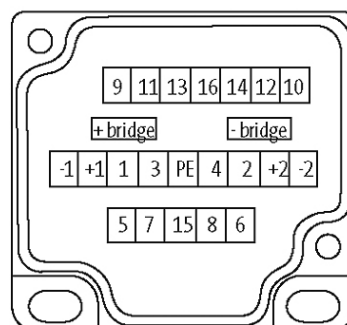
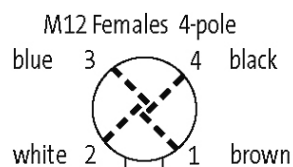
with LED for digital PNP-signals 24 V DC

quick connection elements included

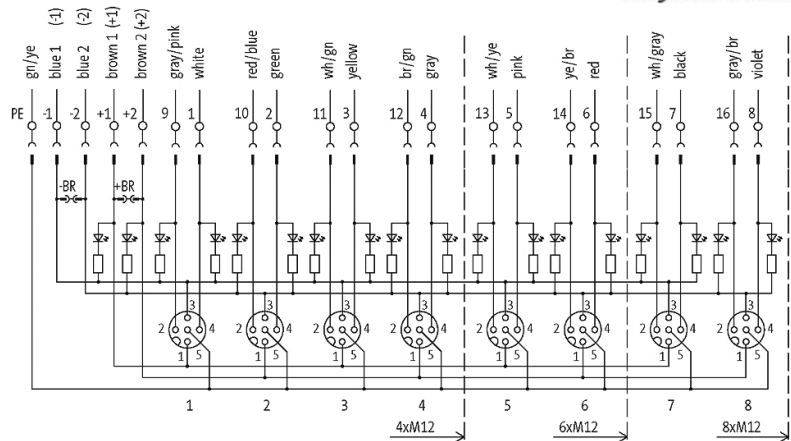
Further cable lengths on request. Plastic housings with good resistance against chemicals and oils. The resistance to aggressive media should be individually tested for your application. Further details on request.

[Link to Product](#)

Illustration



for 2 signals per port



Product may differ from Image

Contact Layout

PIN 1	(+)
PIN 2	(NC)/(S2)
PIN 3	(-)
PIN 4	(NO)/(S1)
PIN 5	(Earth)
LED display	LED (green): Power / LED (yellow): (S1/S2)

Cables

Cable number	374
No./diameter of wires	8×0.34 + 5×0.75 mm ²
Wire isolation	PVC
C-track properties	1.5 Mio.
Jacket Color	gray
Material (jacket)	PUR/PVC
Outer Ø	9.2 mm ±5%
Bend radius (fixed)	10 × outer Ø
Bend radius (moving)	12 × outer Ø
Temperature range (fixed)	-30...+80 °C
Temperature range (mobile)	-30...+80 °C
Color (jacket)	gray

Technical Data

Operating voltage	24 V DC
Signal per port	2
Operating current per contact	max. 4 A
Total current	max. 2 × 8 A
Connection cross section	0.25...0.5 mm ²
Housing	Plastic, flame retardant
Protection	IP67 inserted and tightened (EN 60529)
Locking of ports	Cap nut

General data

Temperature range	-20...+80 °C
Dimensions H x W x D	43x50.2x122 mm

Commercial data

country of origin	DE
customs tariff number	85444290
EAN	4048879057615
eClass	27279219
Packaging unit	1