

## MVP12, 6XM12, MOSA, PLUGGABLE CABLE

5.0m PUR-JB 12x0,34+5x0,75

6-way, 5-pole, MOSA

PUR/PVC (UL/CSA)

5.0 m

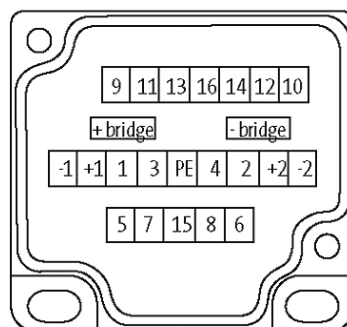
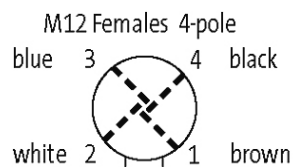
potentially separated

with LED for digital PNP-signals 24 V DC

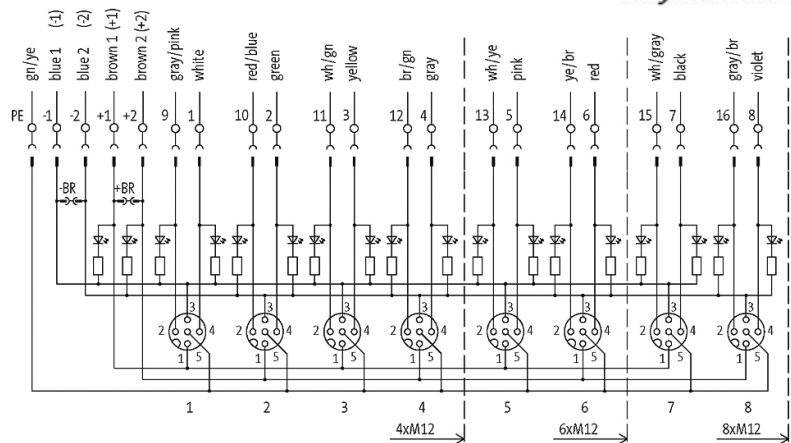
quick connection elements included

### [Link to Product](#)

#### Illustration



for 2 signals per port



Product may differ from Image

### Contact Layout

PIN 1	(+)
PIN 2	(NC)/(S2)
PIN 3	(-)
PIN 4	(NO)/(S1)
PIN 5	(Earth)
LED display	LED (green): Power / LED (yellow): (S1/S2)

### Cables

Cable number	392
No./diameter of wires	12×0.34 + 3×0.75 mm <sup>2</sup>
Construction (core)	PVC
Wire isolation	PVC (yebr, rd, grpk, wh, rdbl, gn, whgn, ye, brgn, gr, whye, pk, br, br, bl, bl, gnye)
C-track properties	1.5 Mio.
Jacket Color	gray
Material (jacket)	PUR/PVC
Outer Ø	10.0 mm ±5%
Bend radius (fixed)	7.5 × outer Ø
Bend radius (moving)	12 × outer Ø
Temperature range (fixed)	-30...+80 °C
Temperature range (mobile)	-5...+60 °C

### Technical Data

Operating voltage	24 V DC
Signal per port	2
Operating current per contact	max. 4 A
Total current	max. 2 × 8 A
Connection cross section	0.25...0.5 mm <sup>2</sup>
Housing	Plastic, flame retardant
Protection	IP67 inserted and tightened (EN 60529)
Locking of ports	Cap nut

**General data**

Temperature range	-20...+80 °C
Dimensions H × W × D	43×50.2×122 mm

**Commercial data**

country of origin	DE
customs tariff number	85369010
EAN	4048879057608
eClass	27279219
Packaging unit	1