

MVP12, 8XM12, MOSA, PLUGGABLE CABLE

5.0m PUR-JB 16x0,34+5x0,75

8-way, 5-pole, MOSA

PUR/PVC

5.0 m

potentially separated

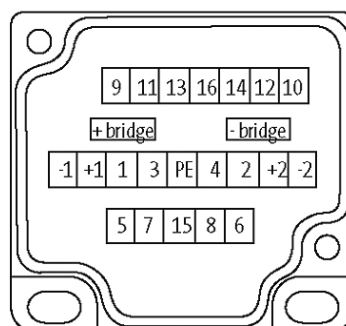
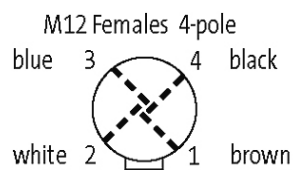
with LED for digital PNP-signals 24 V DC

quick connection elements included

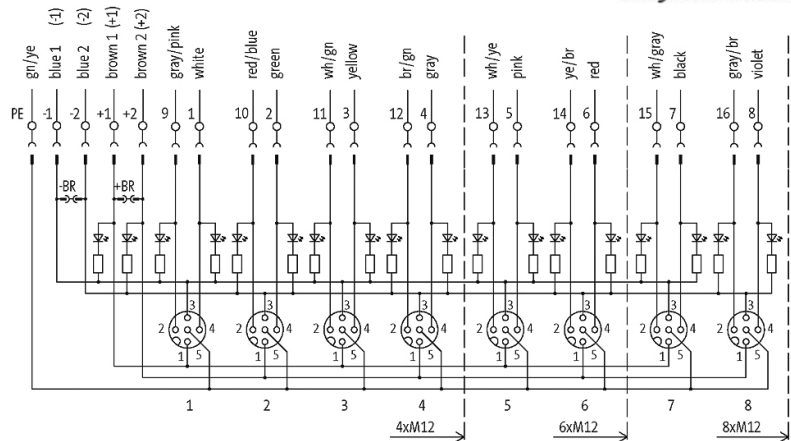
Further cable lengths on request. Plastic housings with good resistance against chemicals and oils. The resistance to aggressive media should be individually tested for your application. Further details on request.

[Link to Product](#)

Illustration



for 2 signals per port



Product may differ from Image

Contact Layout

PIN 1	(+)
PIN 2	(NC)/(S2)
PIN 3	(-)
PIN 4	(NO)/(S1)
PIN 5	(Earth)
LED display	LED (green): Power / LED (yellow): (S1/S2)

Cables

Cable number	404
No./diameter of wires	16×0.34 + 5×0.75 mm ²
Wire isolation	PVC
C-track properties	1.5 Mio.
Jacket Color	gray
Material (jacket)	PUR/PVC
Material (wire)	Cu wire, bare
Resistor (core)	max. 57 Ω/km (0.34 mm ²), max. 26 Ω/km (0.75 mm ²); (20 °C)
Outer Ø	12.5 mm ±5%
Bend radius (fixed)	10 × outer Ø
Bend radius (moving)	12 × outer Ø
Temperature range (fixed)	-30...+80 °C
Temperature range (mobile)	-30...+80 °C

Technical Data

Operating voltage	24 V DC
Signal per port	2
Operating current per contact	max. 4 A
Total current	max. 2 × 8 A
Connection cross section	0.25...0.5 mm ²
Outer wire Ø	Cap nut
Housing	Plastic, flame retardant
Protection	IP67 inserted and tightened (EN 60529)

Locking of ports	Cap nut
------------------	---------

General data

Temperature range	-20...+80 °C
-------------------	--------------

Dimensions H x W x D	43x50.2x170 mm
----------------------	----------------

Commercial data

country of origin	DE
-------------------	----

customs tariff number	85369010
-----------------------	----------

EAN	4048879057578
-----	---------------

eClass	27279219
--------	----------

Packaging unit	1
----------------	---