

MVP12, 8XM12, MOSA, PLUGGABLE CABLE

10.0m PUR-JB 16x0,34+5x0,75

8-way, 5-pole, MOSA

PUR/PVC

10.0 m

potentially separated

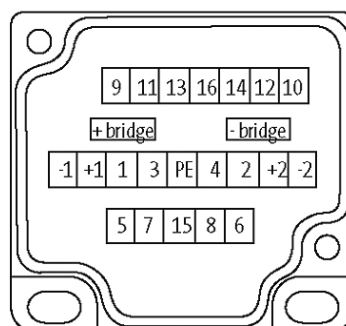
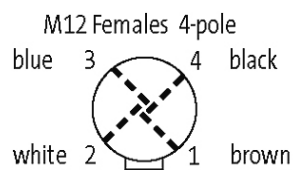
with LED for digital PNP-signals 24 V DC

quick connection elements included

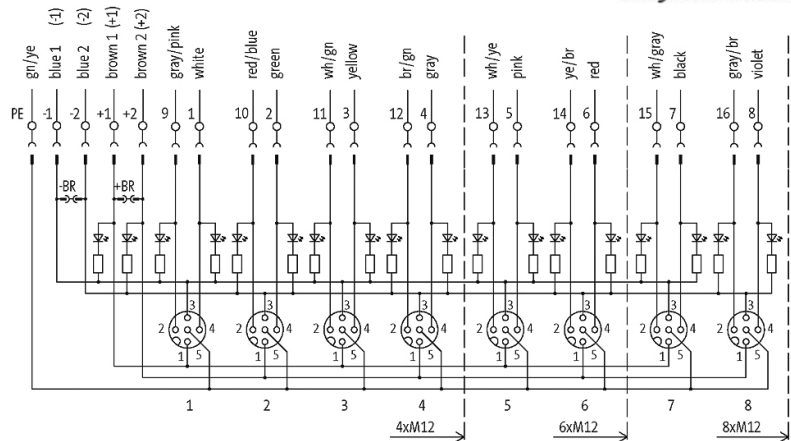
Further cable lengths on request. Plastic housings with good resistance against chemicals and oils. The resistance to aggressive media should be individually tested for your application. Further details on request.

[Link to Product](#)

Illustration



for 2 signals per port



Product may differ from Image

Contact Layout

| | |
|-------------|--|
| PIN 1 | (+) |
| PIN 2 | (NC)/(S2) |
| PIN 3 | (-) |
| PIN 4 | (NO)/(S1) |
| PIN 5 | (Earth) |
| LED display | LED (green): Power / LED (yellow): (S1/S2) |

Cables

| | |
|----------------------------|---|
| Cable number | 404 |
| No./diameter of wires | 16×0.34 + 5×0.75 mm ² |
| Wire isolation | PVC |
| C-track properties | 1.5 Mio. |
| Jacket Color | gray |
| Material (jacket) | PUR/PVC |
| Material (wire) | Cu wire, bare |
| Resistor (core) | max. 57 Ω/km (0.34 mm ²), max. 26 Ω/km (0.75 mm ²); (20 °C) |
| Outer Ø | 12.5 mm ±5% |
| Bend radius (fixed) | 10 × outer Ø |
| Bend radius (moving) | 12 × outer Ø |
| Temperature range (fixed) | -30...+80 °C |
| Temperature range (mobile) | -30...+80 °C |

Technical Data

| | |
|-------------------------------|--|
| Operating voltage | 24 V DC |
| Signal per port | 2 |
| Operating current per contact | max. 4 A |
| Total current | max. 2 × 8 A |
| Connection cross section | 0.25...0.5 mm ² |
| Locking of ports | Cap nut |
| Housing | Plastic, flame retardant |
| Protection | IP67 inserted and tightened (EN 60529) |

General data

| | |
|----------------------|----------------|
| Temperature range | -20...+80 °C |
| Dimensions H x W x D | 43x50.2x170 mm |

Commercial data

| | |
|-----------------------|---------------|
| country of origin | DE |
| customs tariff number | 85369010 |
| EAN | 4048879057561 |
| eClass | 27279219 |
| Packaging unit | 1 |