

IO-Link / analog converter

Multi AI U / I, M12, straight

IOL AI-U/I-STR-MULT-PAR
IO-Link V1.1

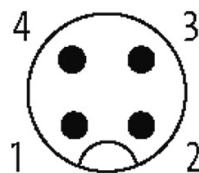
Connection cables are in the online shop under "Connection Technology".

[Link to Product](#)

Illustration

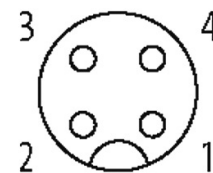


Male

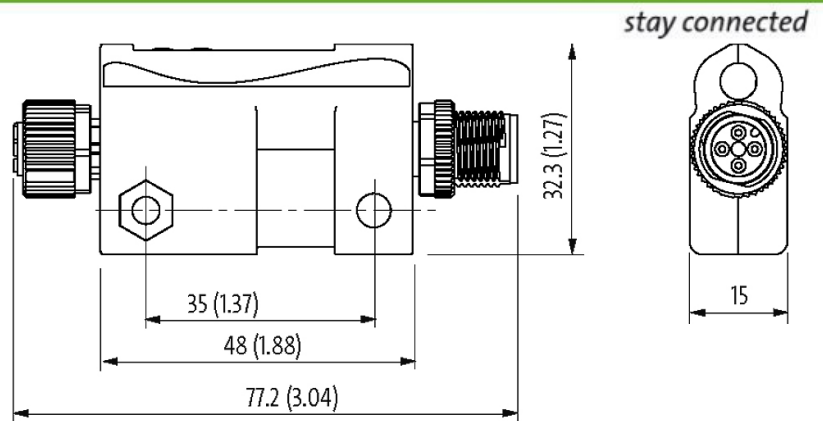


PIN 1: +24 V (L+)
PIN 2: n.c.
PIN 3: GND
PIN 4: C/Q, IO-Link

Female



PIN 1: +Us
PIN 2: A+
PIN 3: GND (Analog Us)
PIN 4: A-



Product may differ from Image

Approvals



More Info



Input

Sensor supply US	24 V DC (EN 61131-2), max. 200 mA
Input range (analog)	0...20 mA, 4...20 mA, 0...10 V, -10...+10 V
Valency	348 nA, 348 nA, 179.4 μ V, 358.9 μ V
Input resistor (analog)	232 Ω , 232 Ω , > 100 k Ω , > 100 k Ω
Resolution (analog)	15 Bit + sign
Accuracy	0.10% (25 °C)
Temperature drift	45 ppm/°K
Conversion time (analog)	max. 5 ms
Input filter	yes, mean value formation, parameterizable N = 0...64
Invers-polarity protection	yes, permanently
Over voltage protection	30 V DC

Connections

IO-Link	M12 (male) 5-pole, A-coded
Analog input	M12 (female) 5-pole, A-coded, shielded

Module supply

Operating voltage	24 V DC (18...30 V DC)
Current consumption	max. 19 mA

General data

Protection	IP65/IP67
------------	-----------

The information in this brochure has been compiled with the utmost care.

Liability for the correctness completeness and topicality of the information is restricted to gross negligence. Version: 03/19

Murrelektronik GmbH | Falkenstraße 3 | 71570 Oppenweiler | Fon +49 (71 91) 47-0 | Fax +49 (71 91) 47-491000 | shop@murrelektronik.com | shop.murrelektronik.com

Material (housing)	Plastic
Labeling	Laser labelled
Temperature range	-30...+70 °C (storage temperature -40...+85 °C)
Dimensions H × W × D	32.3×77.2×15 mm

IO-Link

Specification	IO-Link V1.1
Operating modes	COM2 (38.4 kBit/s)
Port Class	A
Cycle time	min. 2.3 ms
Data width	16 Bit / 2 Byte
Data format	Siemens S7

Parameterization

Measured value	Current/Voltage
Diagnostics	2 Byte
lower limit	2 Byte
upper limit	1 Byte

Protection

Reverse polarity protection module	yes, permanently
Short-circuit protection sensor	yes, permanently
feed back resistance	yes, permanently
Over voltage protection	30 V DC

Diagnostic

Communication status	via LED and IO-Link
Diagnostic via LED	yes
Diagnostic via IO-Link	yes
Monitoring - limit	yes
Monitoring - temperature	yes
Monitoring - over voltage	yes
Monitoring - under voltage	yes
Short-circuit and overload	yes
Underride and overrun	yes

Commercial data

country of origin	DE
customs tariff number	85389099
EAN	4048879588294
eClass	27242601
Packaging unit	1