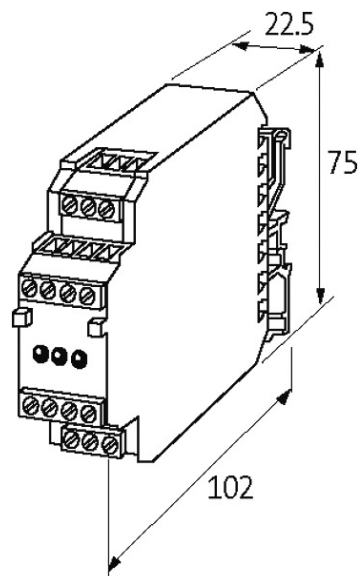
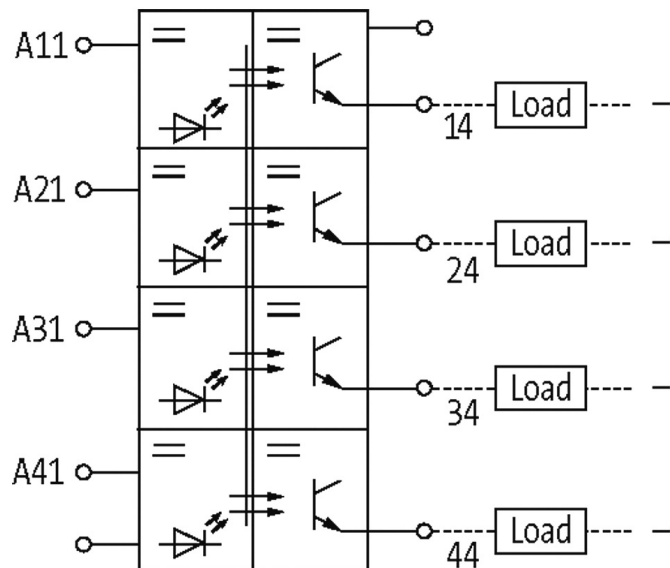
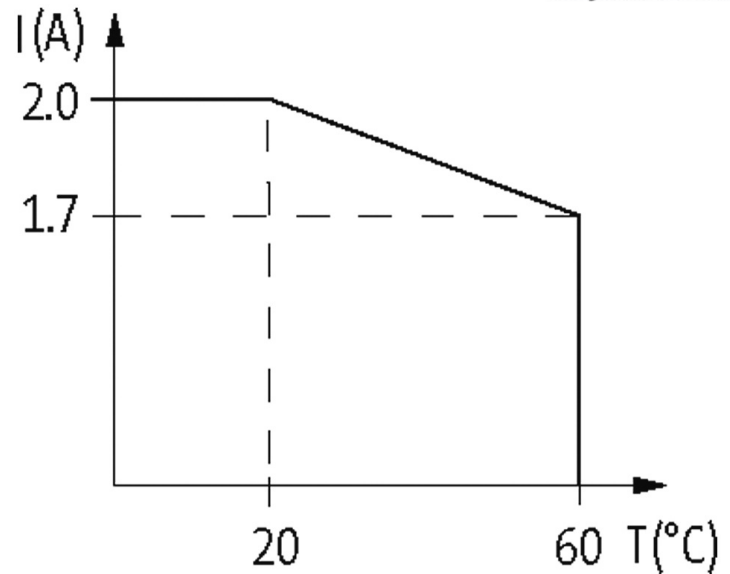


**AMS 4-10/44-2 OPTO-COUPLER MODULE**

In: 24 VDC - Out: 24 VDC / 2A

Transistor 2 A (4-way)  
4 NO contacts  
24 V DC[Link to Product](#)**Illustration**



Product may differ from Image

### Approvals



### Input

Voltage range ON	20...30 V DC
Voltage range OFF	0...6 V DC
Input current	27 mA
LED display	LED (yellow)

### General data

Test isolation voltage	2.5 kV
Mounting method	DIN-rail mountable TH35 or G32 (EN 60715)

The information in this brochure has been compiled with the utmost care.

Liability for the correctness completeness and topicality of the information is restricted to gross negligence. Version: 03/19

Murrelektronik GmbH | Falkenstraße 3 | 71570 Oppenweiler | Fon +49 (71 91) 47-0 | Fax +49 (71 91) 47-491000 | shop@murrelektronik.com | shop.murrelektronik.com

Housing	Black plastic, flame retardant
Temperature range	-25...+50 °C
Dimensions H x W x D	75x22.5x102 mm

### Output

Switching voltage	5...30 V DC
Switching current per output	1 mA...2 A
Saturation voltage (across output)	max. 0.05 V DC
Leakage current (output is open)	max. 0.01 mA
Switching time ON/OFF	1/5 ms
Switching frequency	max. 10/1 Hz (resist./ind.)

### Commercial data

country of origin	CZ
customs tariff number	85414090
EAN	4048879295451
eClass	27371604
Packaging unit	1