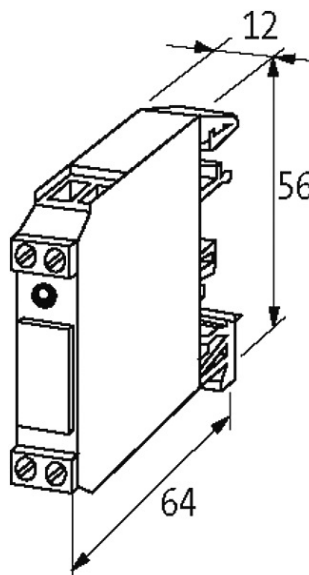
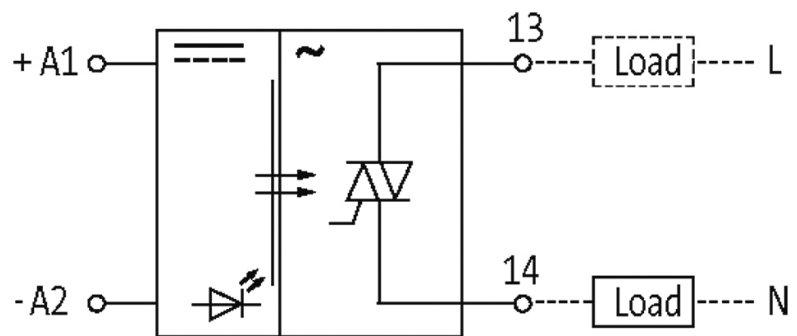
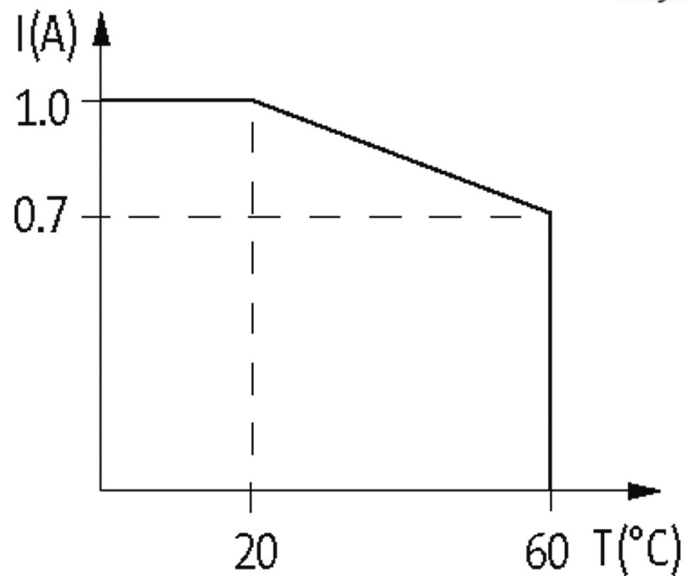


AMMS 20-47/1 OPTO-COUPLER MODULE

IN: 53 VDC - OUT: 250 VAC / 1 A

Triac 1 A
24 V DC[Link to Product](#)**Illustration**



Product may differ from Image

Input

Voltage range ON	10...53 V DC
Voltage range OFF	0...3 V DC
Input current	6.6 mA
LED display	LED (red)

General data

Test isolation voltage	2.5 kV
Mounting method	DIN-rail mountable TH35 or G32 (EN 60715)
Housing	Black plastic, flame retardant
Temperature range	-20...+60 °C
Dimensions H × W × D	56×12×64 mm

Output

Switching voltage	24...253 V AC
Switching current per output	50 mA...1 A
Saturation voltage (across output)	max. 1.3 V AC
Leakage current (output is open)	max. 5 mA
Switching time ON/OFF	10/10 ms
Switching frequency	max. 20 Hz

Commercial data

country of origin	CZ
customs tariff number	85414090
EAN	4048879028073
eClass	27371604
Packaging unit	1