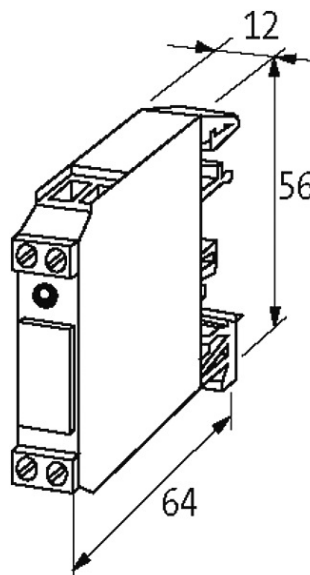
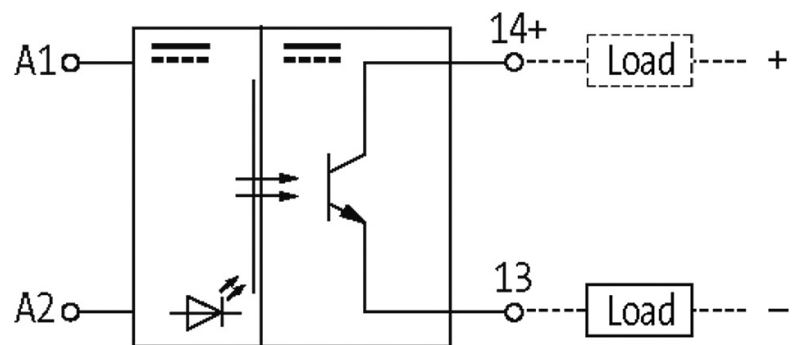
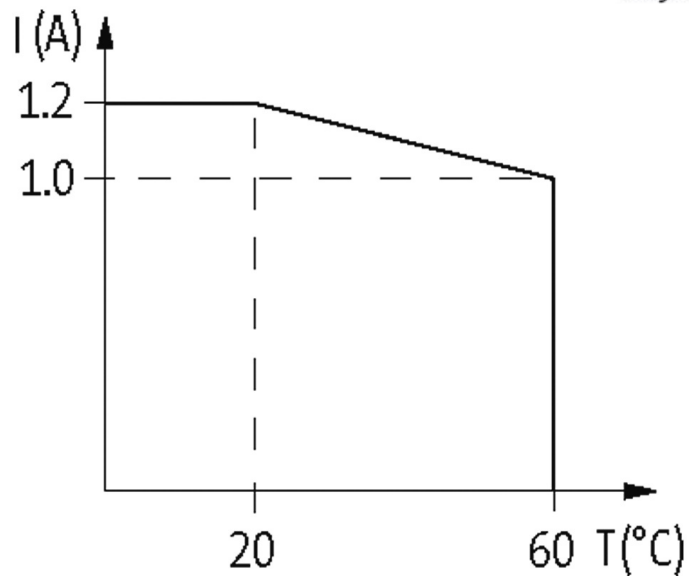


AMMS 10-44/1 OPTO-COUPLER MODULE

IN: 53 VDC - OUT: 53 VDC / 1,2 A

Transistor 1.2 A
24 V DC[Link to Product](#)**Illustration**



Product may differ from Image

Input

Voltage range ON	10...53 V DC
Voltage range OFF	0...3 V DC
Input current	6 mA
LED display	LED (red)

General data

Test isolation voltage	3.75 kV
Mounting method	DIN-rail mountable TH35 or G32 (EN 60715)
Housing	Black plastic, flame retardant
Temperature range	-20...+60 °C
Dimensions H × W × D	56×12×64 mm

Output

Leakage current (output is open)	max. 0.3 mA
Switching current per output	1 mA...1.2 A
Switching voltage	4.5...53 V DC
Saturation voltage (across output)	max. 1.2 V DC
Switching time ON/OFF	100/700 μs
Switching frequency	max. 500 Hz (resist.) at max. 0.2 A/max. 30 Hz (ind.)

Commercial data

country of origin	CZ
customs tariff number	85414090
EAN	4048879028059
eClass	27371604
Packaging unit	1