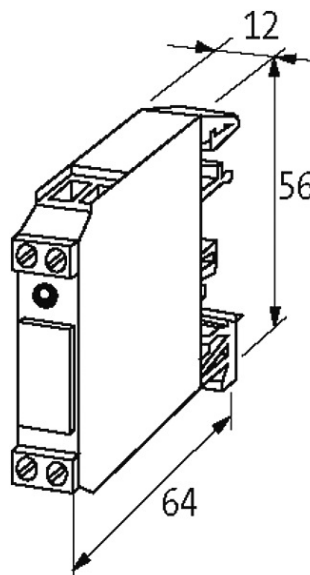
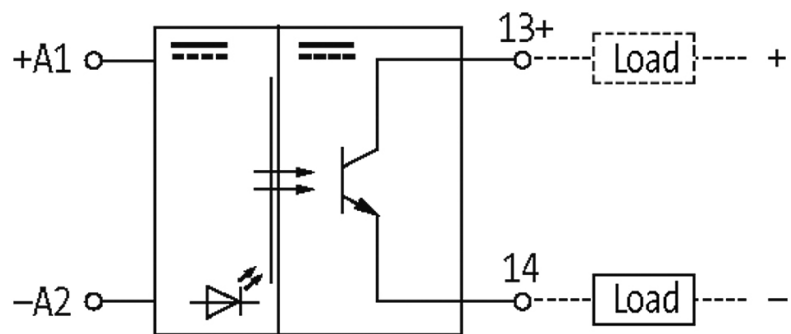
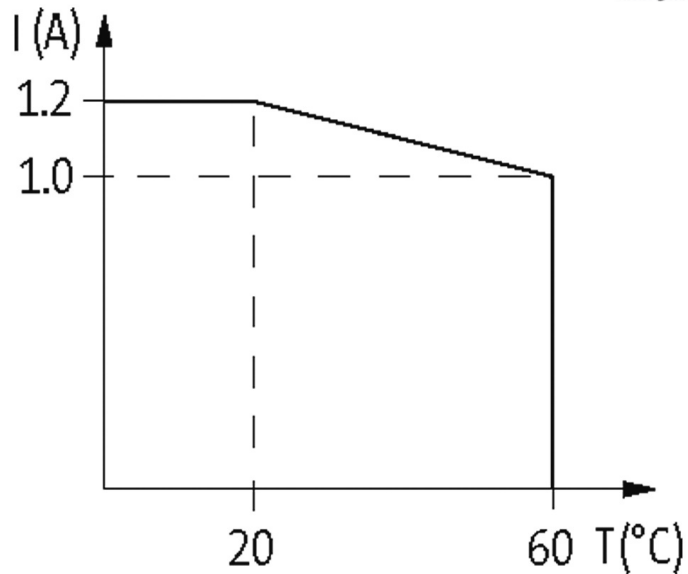


**AMMS 10-14/1 OPTO-COUPLER MODULE**

IN: 5,5 VDC - OUT: 53 VDC / 1,2 A

Transistor 1.2 A  
3.5...5.5 V DC[Link to Product](#)**Illustration**



Product may differ from Image

### Input

Voltage range ON	3.5...5.5 V DC
Voltage range OFF	0...0.8 V DC
Input current	6 mA
LED display	LED (red)

### General data

Test isolation voltage	3.75 kV
Mounting method	DIN-rail mountable TH35 or G32 (EN 60715)
Housing	Black plastic, flame retardant
Temperature range	-20...+60 °C
Dimensions H × W × D	56×12×64 mm

### Output

Leakage current (output is open)	max. 0.3 mA
Switching current per output	1 mA...1.2 A
Switching voltage	4.5...53 V DC
Saturation voltage (across output)	max. 1.2 V DC
Switching time ON/OFF	100/700 μs
Switching frequency	max. 500 Hz (resist.) at max. 0.2 A/max. 30 Hz (ind.)

The information in this brochure has been compiled with the utmost care.

Liability for the correctness completeness and topicality of the information is restricted to gross negligence. Version: 03/19

Murrelektronik GmbH | Falkenstraße 3 | 71570 Oppenweiler | Fon +49 (71 91) 47-0 | Fax +49 (71 91) 47-491000 | shop@murrelektronik.com | shop.murrelektronik.com

**Commercial data**

country of origin	CZ
customs tariff number	85414090
EAN	4048879028042
eClass	27371604
Packaging unit	1