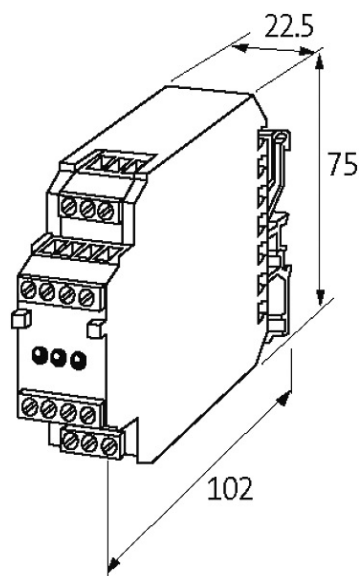


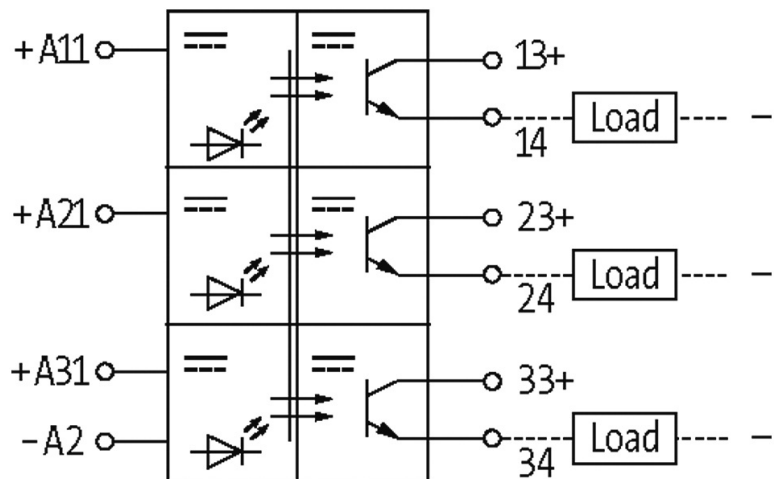
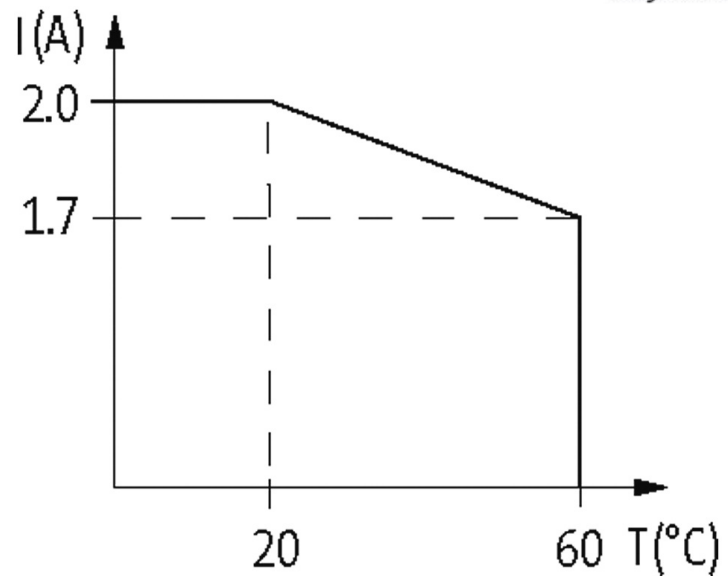
AMS 3-10/44-2 OPTO-COUPLER MODULE

IN: 53 VDC - OUT: 35 VDC / 2 A

Transistor 2 A (3-way)
3 NO contacts
24 V DC

Control voltage 230 V AC on request

[Link to Product](#)**Illustration**



common negative for all 3 inputs = - A2

Product may differ from Image

Input

Voltage range ON	10...53 V DC
Voltage range OFF	0...3 V DC
Input current	10 mA
LED display	LED (red)

General data

Test isolation voltage	2.5 kV
Mounting method	DIN-rail mountable TH35 or G32 (EN 60715)
Housing	Black plastic, flame retardant
Temperature range	-20...+60 °C
Dimensions H × W × D	75×22.5×85 mm

Output

Switching voltage	4.5...35 V DC
-------------------	---------------

The information in this brochure has been compiled with the utmost care.

Liability for the correctness completeness and topicality of the information is restricted to gross negligence. Version: 03/19

Murrelektronik GmbH | Falkenstraße 3 | 71570 Oppenweiler | Fon +49 (71 91) 47-0 | Fax +49 (71 91) 47-491000 | shop@murrelektronik.com | shop.murrelektronik.com

Switching current per output	10 mA...2 A (short-circuit protected)
Saturation voltage (across output)	max. 0.5 V DC
Leakage current (output is open)	max. 0.3 mA
Switching time ON/OFF	2/15 ms
Switching frequency	max. 10/1 Hz (resist./ind.)

Commercial data

country of origin	CZ
customs tariff number	85414090
EAN	4048879028035
eClass	27371604
Packaging unit	1