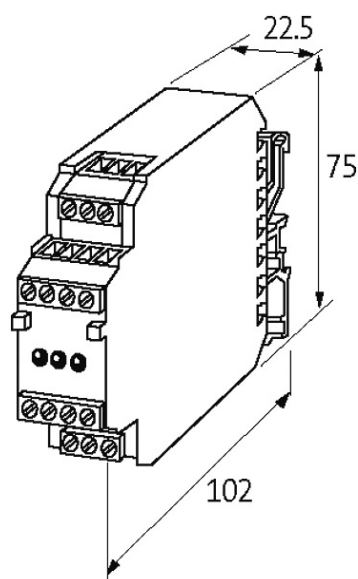


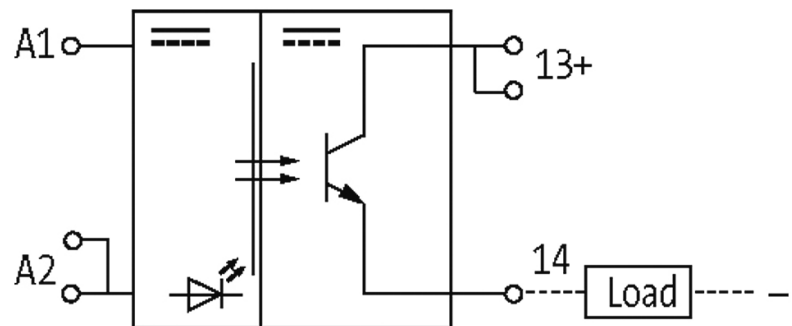
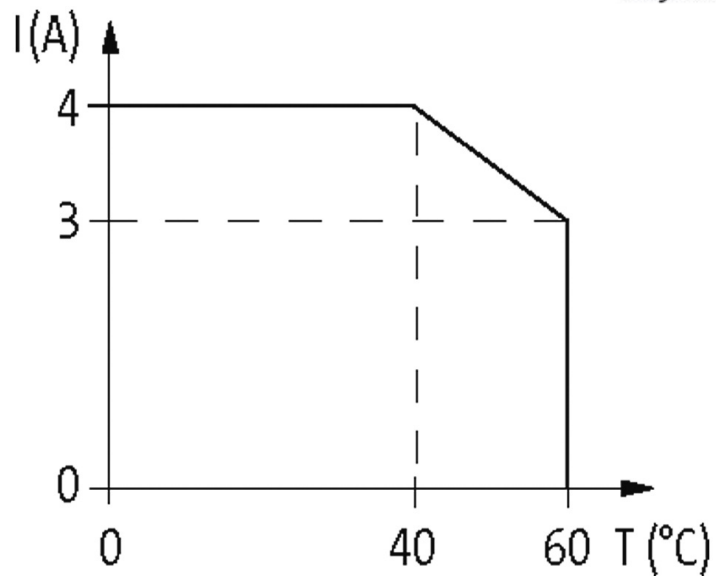
AMS 10-43/5 OPTO-COUPLER MODULE

N: 53 VDC - OUT: 53 VDC / 4 A

Transistor 4 A
24 V DC

Control voltage 230 V AC on request

[Link to Product](#)**Illustration**



Product may differ from Image

Input

Voltage range ON	10...53 V DC
Voltage range OFF	0...3 V DC
Input current	14.5 mA
LED display	LED (red)

General data

Test isolation voltage	3.75 kV
Mounting method	DIN-rail mountable TH35 or G32 (EN 60715)
Housing	Black plastic, flame retardant
Temperature range	-20...+60 °C
Dimensions H x W x D	75x22.5x85 mm

Output

Switching voltage	4.5...53 V DC
Switching current per output	10 mA...4 A
Saturation voltage (across output)	max. 1.5 V DC
Switching time ON/OFF	4/7 µs
Switching frequency	max. 2 kHz/4 Hz (resist./ind.)

Commercial data

country of origin	CZ
customs tariff number	85414090
EAN	4048879028028
eClass	27371604
Packaging unit	1