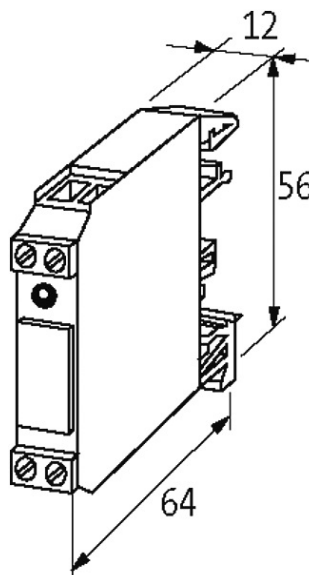
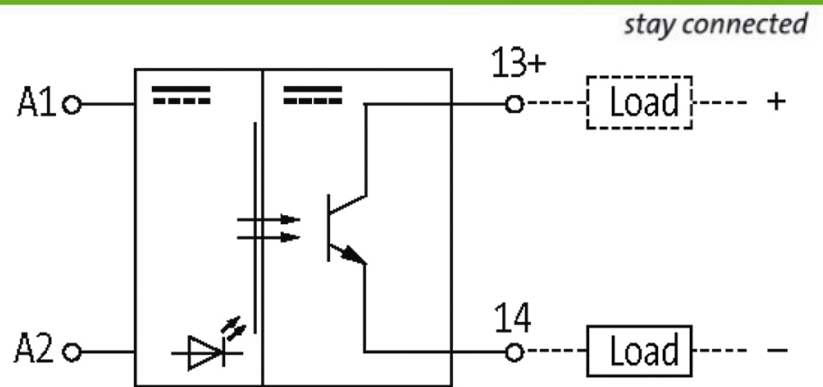


AMMS 10-44/2 A OPTO-COUPLER MODULE

IN: 53 VDC - OUT: 40 VDC / 2 A

Transistor 2 A
24 V DC[Link to Product](#)**Illustration**



Product may differ from Image

Input

Voltage range ON	10...53 V DC
Voltage range OFF	0...3 V DC
Input current	6 mA
LED display	LED (red)

General data

Test isolation voltage	2.5 kV
Housing	Black plastic, flame retardant
Mounting method	DIN-rail mountable TH35 or G32 (EN 60715)
Temperature range	-20...+60 °C
Dimensions H x W x D	56x12.5x64 mm

Output

Switching voltage	4.5...40 V DC
Switching current per output	10 mA...2 A
Saturation voltage (across output)	max. 0.1 V DC
Leakage current (output is open)	max. 0.1 mA
Switching time ON/OFF	2/8 ms
Switching frequency	max. 20/5 Hz (resist./ind.)

Commercial data

country of origin	CZ
customs tariff number	85414090
EAN	4048879028004
eClass	27371604
Packaging unit	1