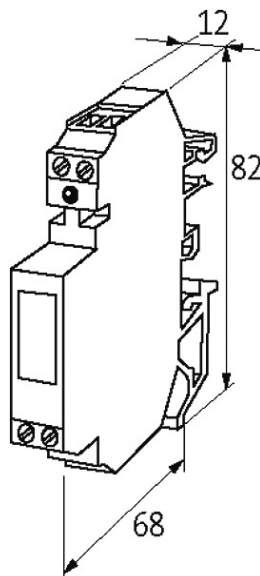
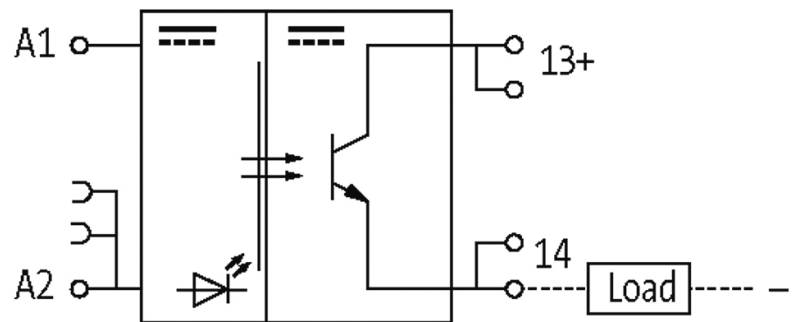
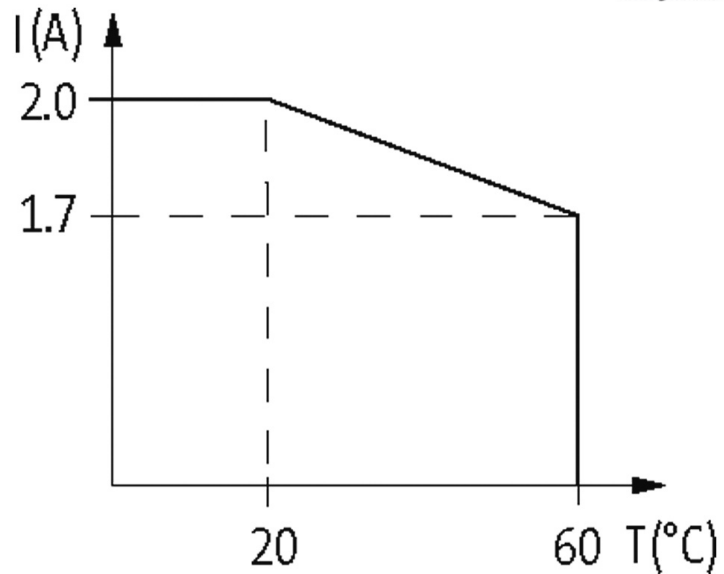


AMMDS 10-44/2 OPTO-COUPLER MODULE

IN: 53 VDC - OUT: 35 VDC / 2 A

Transistor 2 A
24 V DC
with minus plug link
Double terminals on the output side

[Link to Product](#)**Illustration**



Product may differ from Image

Input

LED display	LED (red)
Input current	6 mA
Plug link (supplied)	Art-No. 90960
Voltage range ON	10...53 V DC
Voltage range OFF	0...3 V DC

General data

Mounting method	DIN-rail mountable TH35 or G32 (EN 60715)
Housing	Black plastic, flame retardant
Temperature range	-20...+60 °C
Test isolation voltage	2.5 kV
Dimensions H x W x D	12x82x64 mm

Output

Switching voltage	4...35 V DC
Switching current per output	10 mA...2 A (short-circuit protected)
Saturation voltage (across output)	max. 0.5 V DC
Leakage current (output is open)	max. 0.3 mA
Switching time ON/OFF	5/15 ms

Switching frequency max. 10/1 Hz (resist./ind.)

Commercial data

country of origin	CZ
customs tariff number	85414090
EAN	4048879027991
eClass	27371604
Packaging unit	1