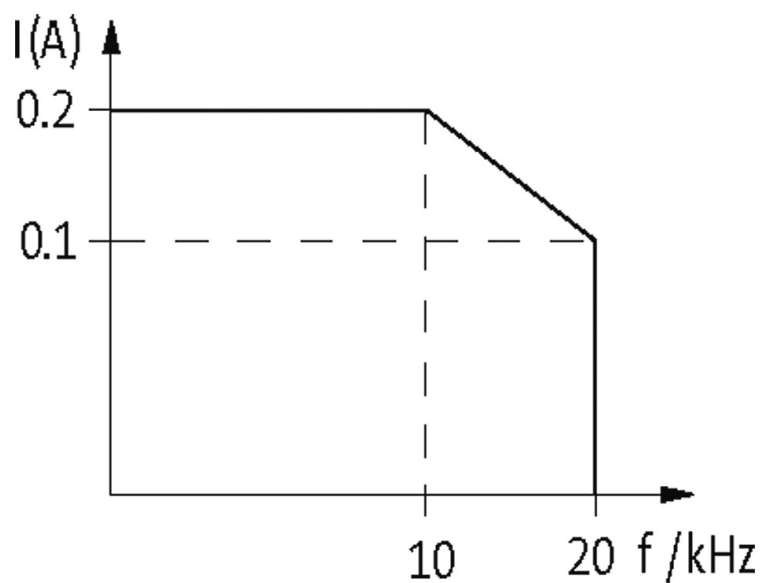
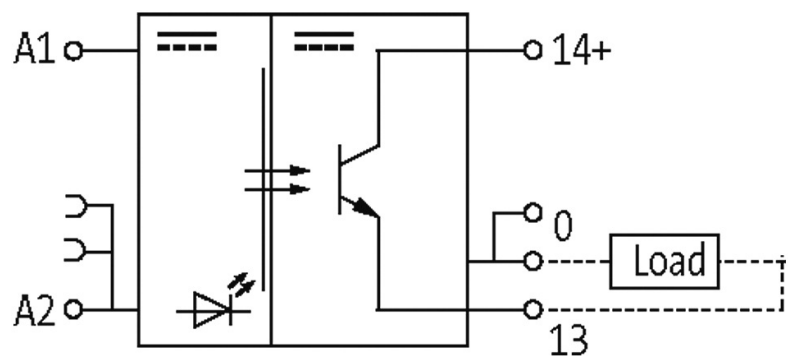
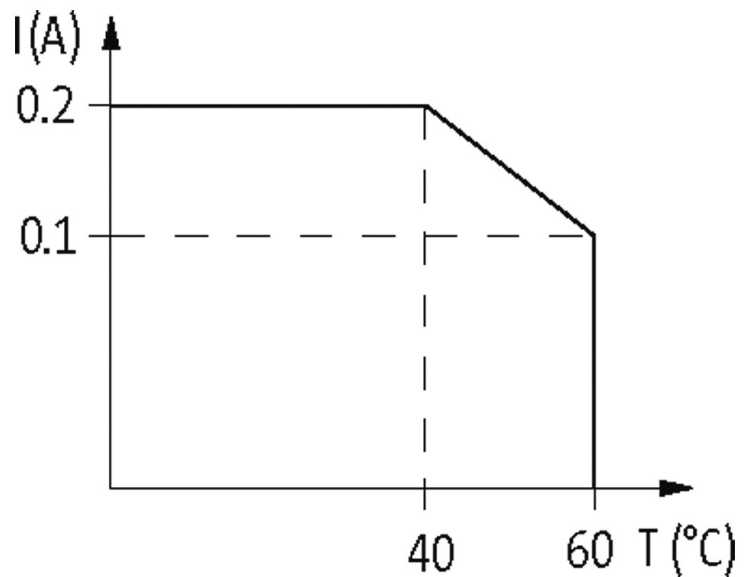
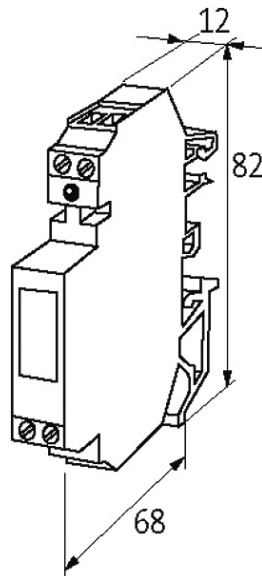


AMMDS 10-44/1 OPTO-COUPLER MODULE

IN: 35 VDC - OUT: 35 VDC / 0.2 A

Transistor 0.2 A
24 V DC
with minus plug link
Double terminals on the output side
for rapid switching

[Link to Product](#)**Illustration**



Product may differ from Image

Input

Voltage range ON	10...35 V DC
Voltage range OFF	0...5 V DC
Input current	10 mA

The information in this brochure has been compiled with the utmost care.

Liability for the correctness completeness and topicality of the information is restricted to gross negligence. Version: 03/19

Murrelektronik GmbH | Falkenstraße 3 | 71570 Oppenweiler | Fon +49 (71 91) 47-0 | Fax +49 (71 91) 47-491000 | shop@murrelektronik.com | shop.murrelektronik.com

LED display	LED (red)
Plug link (supplied)	Art-No. 90960

General data

Test isolation voltage	2.5 kV
Mounting method	DIN-rail mountable TH35 or G32 (EN 60715)
Housing	Black plastic, flame retardant
Temperature range	-20...+60 °C
Dimensions H x W x D	68x82x12 mm

Output

Switching voltage	5...35 V DC
Switching current per output	1 mA...0.2 A
Saturation voltage (across output)	max. 0.5 V DC
Leakage current (output is open)	max. 0.3 mA
Switching time ON/OFF	20/14 µs
Switching frequency	max. 20 kHz/200 Hz (resist./ind.)

Commercial data

country of origin	CZ
customs tariff number	85414090
EAN	4048879027977
eClass	27371604
Packaging unit	1