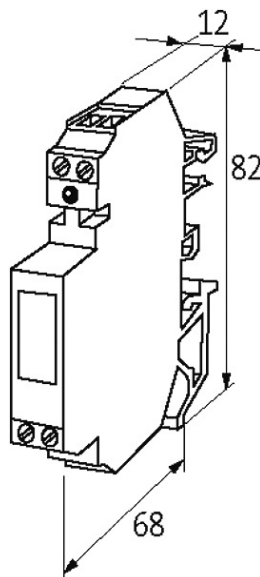


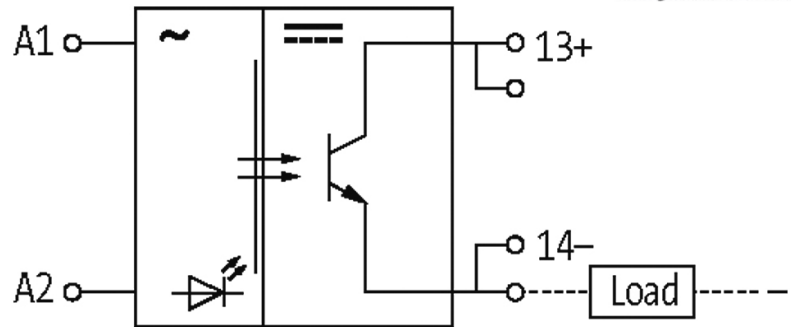
**EMMDS 30-64/0,1 OPTO-COUPLER MODULE**

IN: 230 VAC - OUT: 40 VDC / 0,1 A

Transistor 0.1 A  
230 V AC  
Double terminals on the output side

[Link to Product](#)**Illustration**

stay connected



Product may differ from Image

### Input

Voltage range ON	195...253 V AC
Voltage range OFF	0...110 V AC
Input current	7.5 mA
LED display	LED (red)

### General data

Test isolation voltage	3.75 kV
Mounting method	DIN-rail mountable TH35 or G32 (EN 60715)
Housing	Black plastic, flame retardant
Temperature range	-20...+60 °C
Dimensions H × W × D	82×12×64 mm

### Output

Switching voltage	4...40 V DC
Switching current per output	1 mA...0.1 A
Saturation voltage (across output)	max. 1.2 V DC
Leakage current (output is open)	max. 0.3 mA
Switching time ON/OFF	50/120 ms
Switching frequency	max. 10/1 Hz (resist./ind.)

### Commercial data

country of origin	CZ
customs tariff number	85414090
EAN	4048879027939
eClass	27371604
Packaging unit	1