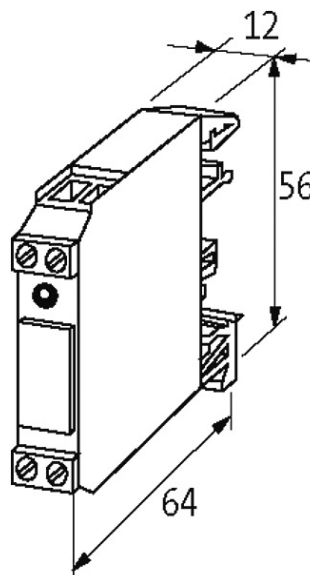
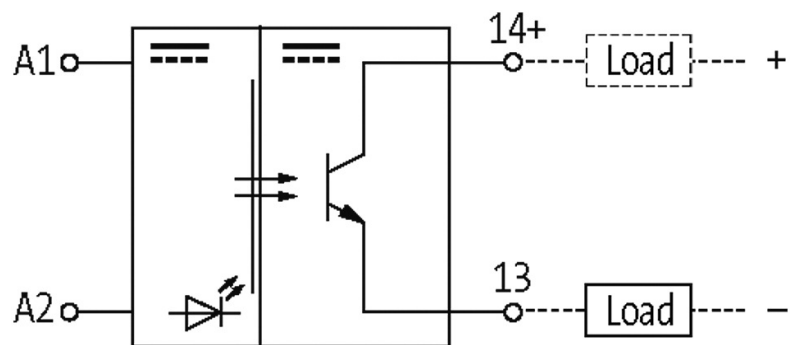
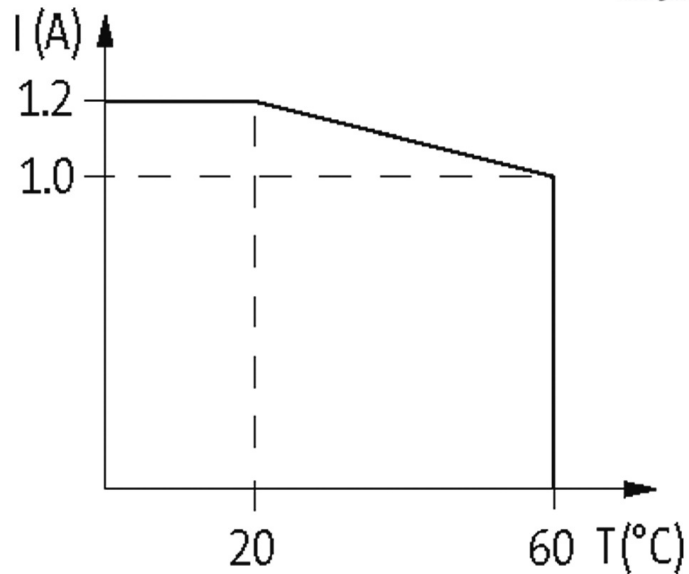


**AMMS 10-44/1 OPTO-COUPLER MODULE**

IN: 53 VDC - OUT: 45 VDC / 1,2 A

Transistor 1.2 A  
10...30 V DC[Link to Product](#)**Illustration**



Product may differ from Image

### Input

Voltage range ON	10...30 V DC
Voltage range OFF	0...3 V DC
Input current	max. 8 mA
LED display	LED (red)

### General data

Test isolation voltage	3.75 kV
Mounting method	DIN-rail mountable (EN 60715)
Housing	Black plastic, flame retardant
Temperature range	-20...+60 °C

### Output

Switching voltage	4.5...30 V DC
Switching current per output	1 mA...1.2 A
Saturation voltage (across output)	max. 1.2 V DC
Leakage current (output is open)	max. 0.3 mA
Switching time ON/OFF	65/65 µs
Switching frequency	500 Hz (resist.)

### Commercial data

The information in this brochure has been compiled with the utmost care.  
Liability for the correctness completeness and topicality of the information is restricted to gross negligence. Version: 03/19

---

country of origin	CZ
customs tariff number	85414090
EAN	4048879025041
eClass	27371604
Packaging unit	1