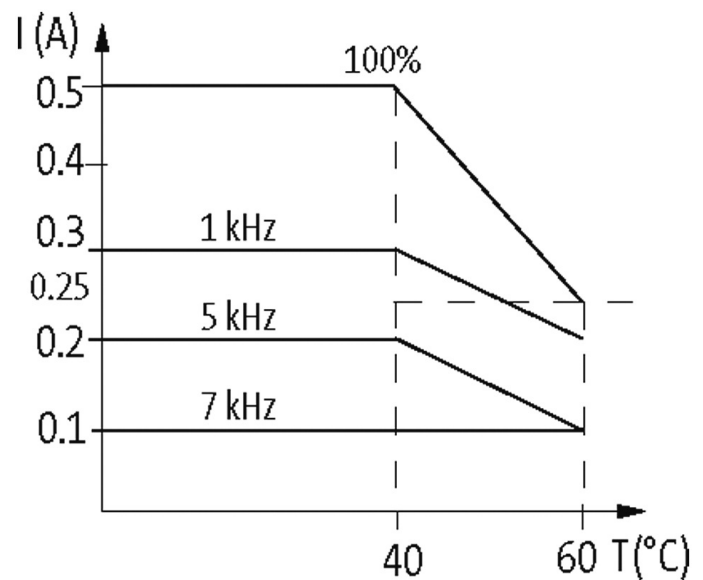
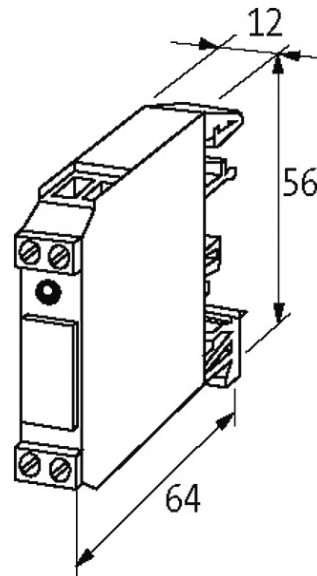


AMMS 10-1 OPTO-COUPLER MODULE

IN: 35 VDC - OUT: 44 VDC / 0.5 A

Transistor 0.5 A
24 V DC[Link to Product](#)**Illustration**



Product may differ from Image

Input

Voltage range ON	10...35 V DC
Voltage range OFF	0...5 V DC
Input current	approx. 12 mA
LED display	LED (red)

General data

Test isolation voltage	3.75 kV
Housing	Black plastic, flame retardant
Mounting method	DIN-rail mountable TH35 or G32 (EN 60715)
Temperature range	-20...+60 °C

Output

Switching voltage	4.5...44 V DC
Switching current per output	1 mA...0.5 A
Saturation voltage (across output)	max. 1.2 V DC
Leakage current (output is open)	max. 0.3 mA
Switching time ON/OFF	65 µs/20 ms
Switching frequency	max. 7 kHz/20 Hz (resist./ind.)

Commercial data

country of origin	CZ
customs tariff number	85414090
EAN	4048879411363
eClass	27261590
Packaging unit	1