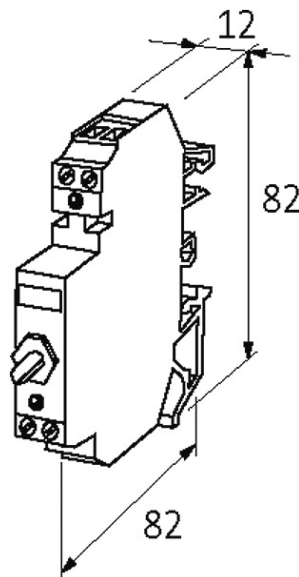
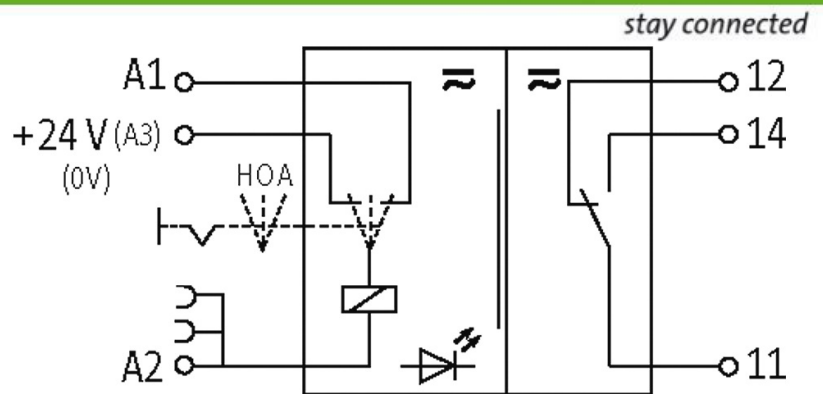


**RMMDUH-ST 11/24 OUTPUT RELAY WITH TOGGLE SWITCH**

IN: 24 VAC/DC - OUT: 250 VAC/DC / 8 A

1 relay; 1 NO/NC contact  
24 V AC/DC  
with minus plug link

[Link to Product](#)**Illustration**



Product may differ from Image

### Input

Connection voltage - current	24 V AC/DC (19.2...28 V AC/DC) - 16 mA
Plug link (supplied)	Art-No. 90960
LED display	LED (red)

### Utilization category

AC-1	8 A (24/110/230 V AC)
AC-15	3 A (24/110/230 V AC)
DC-13	1.5 A (24 V DC); 0.3 A (110 V DC); 0.15 A (230 V DC)

### General data

Mech./ elect. life	30 000 000 switching cycles/load dependent
Test isolation voltage	3 kV
Mounting method	DIN-rail mountable TH35 or G32 (EN 60715)
Temperature range	-20...+50 °C
Dimensions H x W x D	82x12x82 mm

### Output

Switching voltage	max. 250 V AC/DC
Switching current per output	max. 8 A
Min. load current	100 mA
Power rating (voltage dependent)	max. 2 000 VA/240 W
Switching frequency	max. 15 Hz
Contact material	Ag Ni
Energize/release/contact bounce time	10/10/2 ms

### Commercial data

country of origin	CZ
customs tariff number	85364900
EAN	4048879027724
eClass	27371001
Packaging unit	1