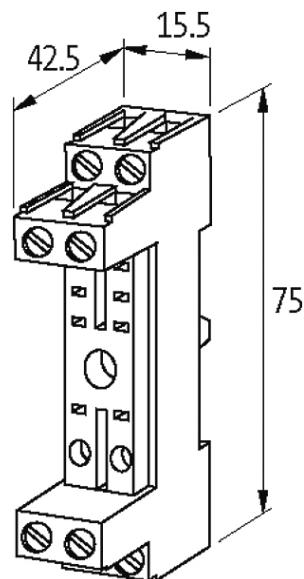
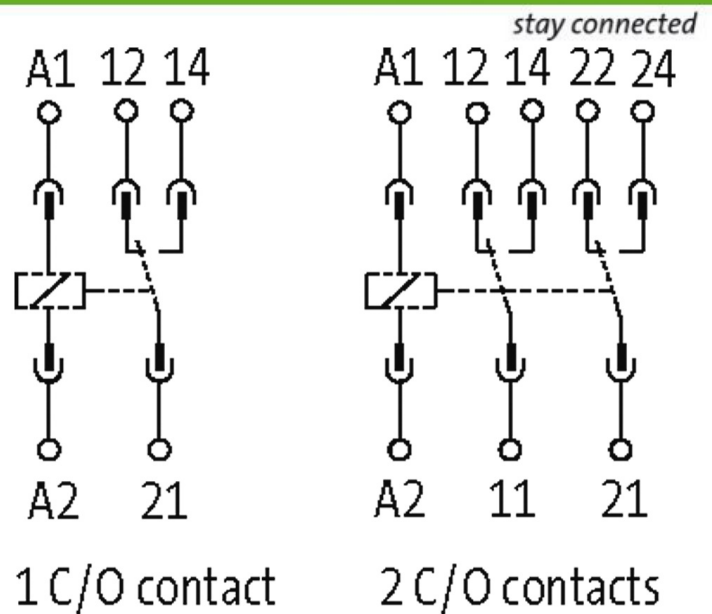


**RTS-2FI RELAY SOCKET MODULES**

IN: 250 VAC/DC / 250 VAC/DC / 10 A

for plug relays MRS  
1 or 2 NO/NC contacts  
250 V AC[Link to Product](#)**Illustration**



Product may differ from Image

### Technical Data

Additional suppressor	plug-in suppressor module MRE
Switching voltage	250 V AC
Switching current	16 A

### General data

Standards	touch protected (VGB 4) and (VDE 0106) part 100 and 101
Test isolation voltage	5 kV
Connection	Screw terminals: max. 4 mm <sup>2</sup>
Mounting method	DIN-rail mountable (EN 60715)
Dimensions H × W × D	81.9×15.5×75 mm

### Commercial data

country of origin	IT
customs tariff number	85366990
EAN	4048879027663
eClass	27371001
Packaging unit	1